




SPRING 2015
new products



MODULAR®
LIGHTING INSTRUMENTS

04 _ **H55**

16 _ **M-LED 111**

Linear custom made integration

18 _ **Single round**

22 _ **Single square**

26 _ **Smart asy lotis 48**

30 _ **Smart cake 48**

34 _ **Smart kup 48**

38 _ **Smart lotis 48**

44 _ **Vaeder**



Fresh insights, new technologies, great ideas
and here we are now, back with new releases.
We are proud of the youngest members of the
Modular family and truly believe that some of them
will become the icons of the future.

**“Sometimes you’ve got to go away
to appreciate how nice it is to come back.”**

Monty Halls



H55



The simplicity of H

A simple profile that can cast its light either upwards or downwards, and that is available either as a pendant or wall-mounted. Next to the linear custom made solution, H55 is also available as a ready-made solution in order to meet the rising demand for versatile architectural LED lighting lines.

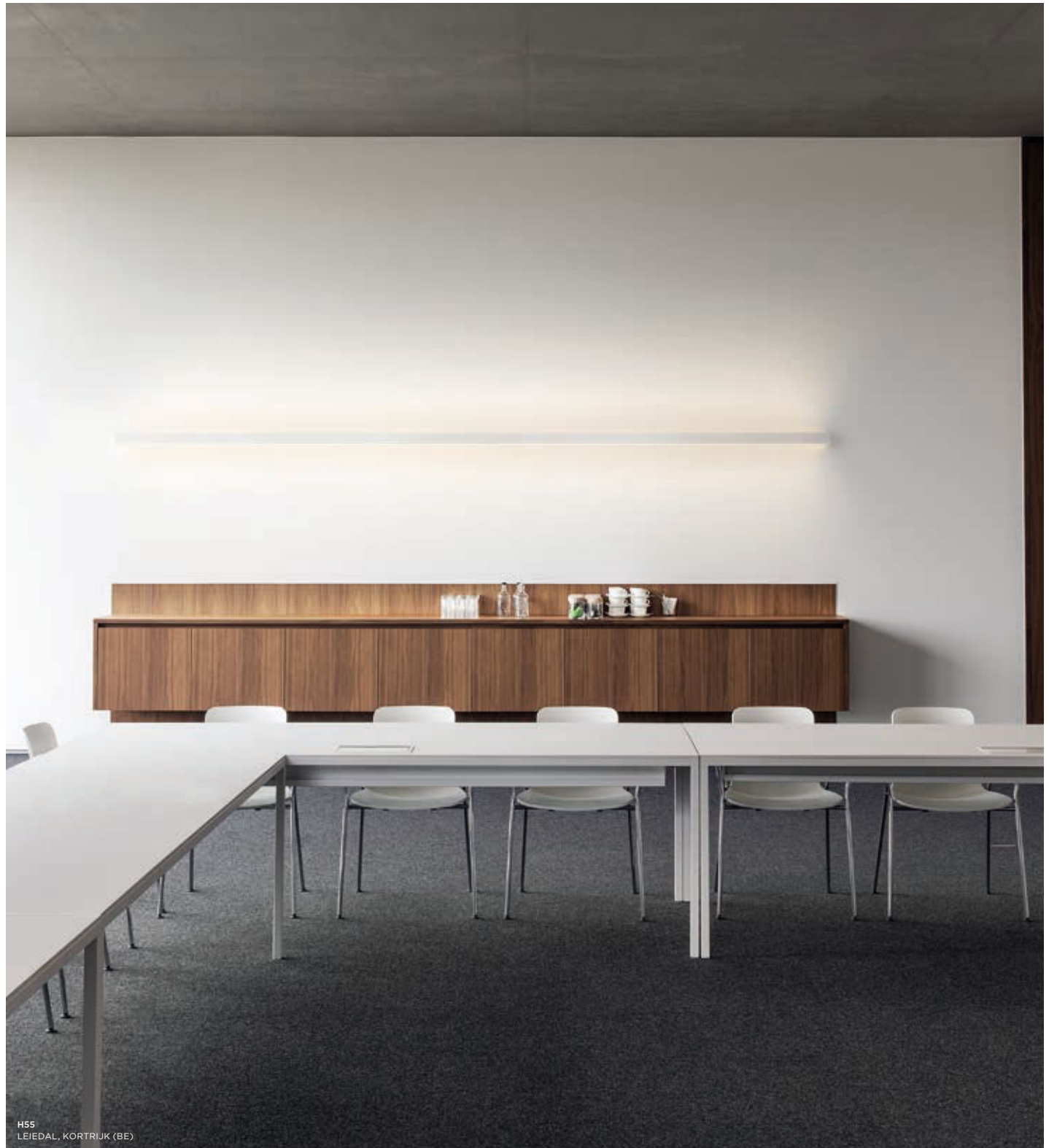
CREATING LIGHT EXPERIENCE

—
This is an ideal profile for the office, the hall, retail spaces, hotel reception desks and private kitchens.



H55
LEIEDAL, KORTRIJK (BE)

H55



H55
LEIEDAL, KORTRIJK (BE)

ULTRA THIN GAP

—
Wafer-thin brackets supplied with the wall mounted version results in a ultra-thin gap of 3 mm between the wall and the profile.



H55



H55
LEIEDAL, KORTRIJK (BE)



H55



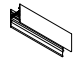
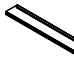
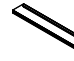

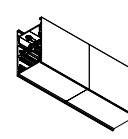
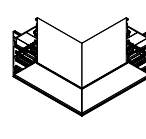
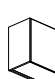

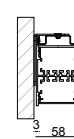

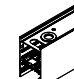
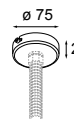

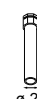



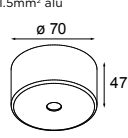
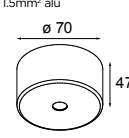
H55
PRIVATE RESIDENCE, WAREGEM (BE)
PLUSPUNT ARCHITECTUUR



SEAMLESS FINISHING

The fixture is finished right down to the finest detail. Thanks to the die casted endplates, there is not a single screw to be seen. The endplates have both a raised edge and a small recess so that the polycarbonate can expand and contract without the inside of the profile being directly visible.

LINEAR CUSTOM MADE | COMPONENTS

Profile variation >	<p>profile alu/m</p>  <p>93530005 wh 93530009 bl 93530032 m 93530005 + 935300</p>	<p>poly clear/m</p>  <p>93530025</p>	<p>poly diffuse/m</p>  <p>93530015</p>	<p>cover/m</p>  <p>93530105 wh 93530109 bl 93530132 m 93530105 + 93530119</p>	
	<p>connection 180°</p>  <p>93530050</p>	<p>connection 90°</p>  <p>93530060</p>	Endplates >	<p>endplate</p>  <p>93530181 wh 93530181 bl 93533181 m 93530181 + 93530188</p>	
	<p>suspension 4m</p>  <p>93530350 wh 93530950 bl 93530850 m 93530350 + 93000158</p>	<p>lateral wall bracket</p>  <p>93530161 wh 93530961 bl 93530861 m 93530161 + 93530162</p>		<p>hole for power supply (3-5p)</p>  <p>93530100</p>	<p>hole for power supply (6-9p)</p>  <p>93530101</p>
	Electrical supply >	<p>connection box</p>  <p>93000151 wh 93000951 bl 93003251 m 93000151 + 93000153</p>	<p>flexible</p>  <p>1m 93000152 /m 93000252</p>	<p>power feed tube 1m</p>  <p>93000156 wh 93000856 bl 93003156 m 93000156 + 93000157</p>	<p>power feed tube/m</p>  <p>93000256 wh 93000956 bl 93003256 m 93000256 + 93000157</p>
		<p>power feed kit 2m (transparent cable) / 3x 1.5mm² alu</p>  <p>93002003 wh 93002903 bl 93003203 m 93002003 + 93002053</p>	<p>power feed kit 2m (transparent cable) / 5x 1.5mm² alu</p>  <p>93002005 wh 93002905 bl 93003205 m 93002005 + 93002053</p>	<p>connection box for transparent cable / 3x 1.5mm² alu</p>  <p>93002151 wh 93002951 bl 93003151 m 93002151 + 93002053</p>	<p>connection box for transparent cable / 5x 1.5mm² alu</p>  <p>93002251 wh 93003951 bl 93003251 m 93002251 + 93002053</p>

LINEAR CUSTOM MADE | EXTRA

REMOTE GEAR FOR LED-STRIP

1000lm/m	non-dim	1-10V	Dali	l / b / h
24V 20W	93009510	-	-	150 / 37 / 25
24V 60W	93009530	-	-	241 / 43 / 30
24V 100W	93009540	-	-	241 / 43 / 30
24V 20W	-	96009510	-	146 / 55 / 19
24V 80W	-	96009530	-	250 / 50 / 34
24V 75W	-	-	98009530	- / - / -
24V 100W	-	96009540	-	250 / 60 / 39

! see profiles workbook to determine max. distance between strip and driver
! 1 separate driver per 5m LED-strip

SUPPLEMENTS

93000101	ral setup charge (except white struc and black struc)
93533000	suppl. extra circuit /m

LINEAR CUSTOM MADE | LIGHTING UNITS

H55 Fortimo LED Line 3850lm/m GI - down

ECO LED

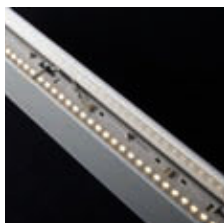


	3000K non-dim	3000K 1-10V	3000K Pushdim/Dali	mod
2x	93534002	96534002	98534002	560
3x	93534003	96534003	98534003	840
4x	93534004	96534004	98534004	1120
5x	93534005	96534005	98534005	1400
6x	93534006	96534006	98534006	1680
7x	93534007	96534007	98534007	1960
8x	93534008	96534008	98534008	2240

! gear included
! 1 strip = 6.9W
! 4000K on request
! in combination with poly diffuse: 85lm/W

H55 Fortimo LED Line 3850lm/m GI - up

ECO LED

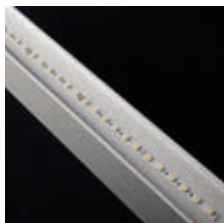


	3000K non-dim	3000K 1-10V	3000K Pushdim/Dali	mod / asym / sym
2x	93534102	96534102	98534102	560 / 1075 / 1590
3x	93534103	96534103	98534103	840 / 1355 / 1870
4x	93534104	96534104	98534104	1120 / 1635 / 2150
5x	93534105	96534105	98534105	1400 / 1915 / 2430
6x	93534106	96534106	98534106	1680 / 2195 / 2710
7x	93534107	96534107	98534107	1960 / 2475 / 2990
8x	93534108	96534108	98534108	2240 / 2755 / 3270

! gear included
! 1 strip = 6.9W
! 4000K on request
! in combination with poly clear: 85lm/W

H55 LED-strip 1000lm/m 24V GE - up

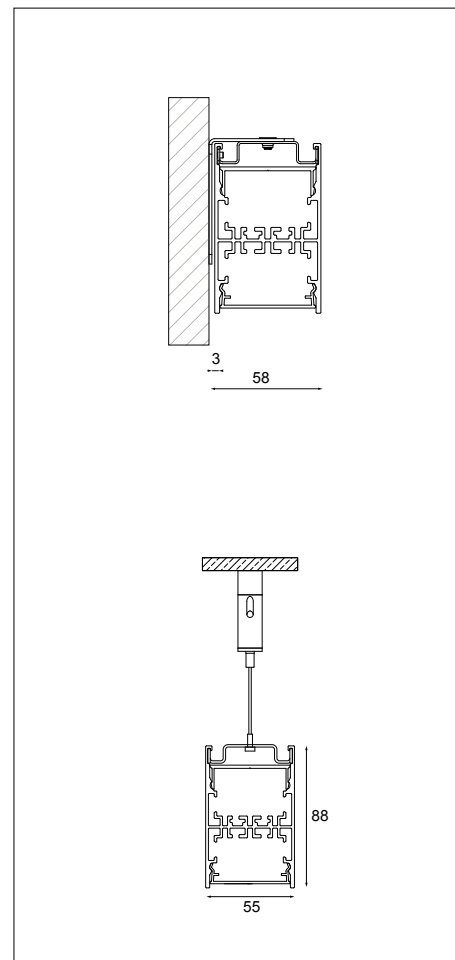
ECO LED

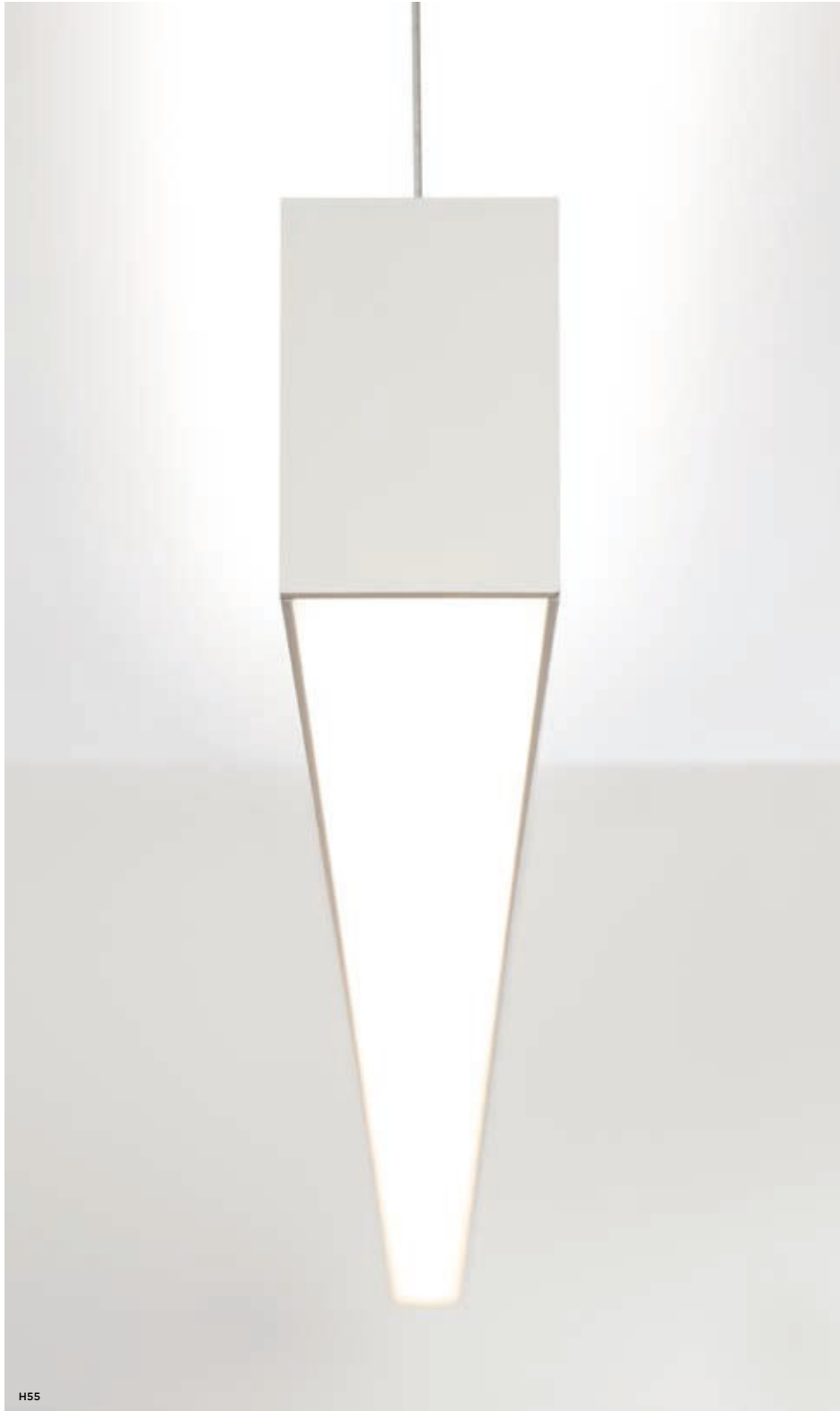


	3000K
not mounted roll 5m	93000500
mounted/m	93000501
24V connection	93530532

! order LED-strip driver separately
- for mounting in profile:
93530615 LED gear for LED-strip 24V 60W GI
96530615 LED gear for LED-strip 24V 60W 1-10V GI
- remote gear: see page 12
! 5m roll - 24V DC - 70W/roll - 14W/m - 60LED/m - to cut every 10cm

LINEAR CUSTOM MADE





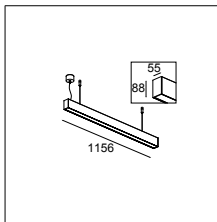
H55

READY-MADE

The ready-made version of H55 comes in a length of 1156mm and is available in aluminum or white structure. The advantage speaks for itself: faster delivery and budget friendly!

ECO LED GI READY-MADE

H55 RM suspended up/down GI



NOT DIMMABLE

alu	93530420
white struc	93530422

DALI/PUSHDIM

alu	98530420
white struc	98530422

4X LED LINE INCL.	8.1W	DOWN
LED-STRIP 900MM	12.6W	UP (NOT DIMMABLE)
LED-STRIP 800MM	11.2W	UP (DALI/PUSHDIM)



M-LED 111

LINEAR CUSTOM MADE INTEGRATION



Revival of the icons

Modular is famous for its custom made solutions in light lines. As well as the continuous LED lines and the small LED modules (\varnothing 50), the larger AR111 modules are now also being replaced with an excellent LED alternative: the M-LED 111. From now on, these modules can also be integrated into the SL149 and 2FLAT2C profiles, both of which are ideal high-performance lighting solutions.

LINEAR CUSTOM MADE | LIGHTING UNITS

2FLAT2C unit black GI for M-LED 111

ECO LED



	TreDim	1-10V	Dali	mod/asym/sym
1x	93167332	96167332	98167332	180/310/440
2x	93167342	96167342	98167342	180/310/440

! must be combined with M-LED 111 - see below
! check profiles workbook for other components

SL149 unit black GI for M-LED 111

ECO LED

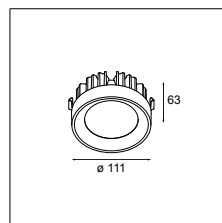


	TreDim	1-10V	Dali	mod/asym/sym
1x	93197332	96197332	98197332	140/310/480
2x	93197342	96197342	98197342	140/310/480

! must be combined with M-LED 111 - see below
! check profiles workbook for other components

NEW ECO LED GE

M-LED 111 GE



1X LED ARRAY INCL. 16.25W

	WARM WHITE 2700K / CRI90+			WARM WHITE 3000K / CRI90+			NEUTRAL WHITE 4000K / CRI90+		
	SPOT 15°	MEDIUM 25°	FLOOD 40°	SPOT 15°	MEDIUM 25°	FLOOD 40°	SPOT 15°	MEDIUM 25°	FLOOD 40°
black matt	11298002	11298102	11298202	11298302	11298402	11298502	11298602	11298702	11298802
white struc	11298009	11298109	11298209	11298309	11298409	11298509	11298609	11298709	11298809

! 3500K on request



SINGLE ROUND

A play of geometric shapes

A showdown between square and round shapes. Based on the squared shape of its brother, Single round combines best of both worlds. The M-LED 111 module, designed by Modular R&D, is well hosted in an aluminum cylinder. The singular connection with the hinge contributes to a highly directional fixture. Well fitted for use in specific retail projects thanks to the performant and efficient LED engine.



SINGLE ROUND

Single round



SINGLE ROUND



SINGLE ROUND

Single round

ACCESSORIES

INSTALLATION - TRACK

SURFACE	RECESSED	PROFILE
11242201	11242401	PROFILE 1M WHITE SHINY
11242202	11242402	PROFILE 1M BLACK
11242205	11242405	PROFILE 1M ALU
11240101	11240301	PROFILE 2M WHITE SHINY
11240102	11240302	PROFILE 2M BLACK
11240105	11240305	PROFILE 2M ALU

SURFACE	RECESSED	POWER FEED RIGHT
11240501	11241601	POWER FEED RIGHT WHITE SHINY
11240502	11241602	POWER FEED RIGHT BLACK
11240505	11241605	POWER FEED RIGHT ALU

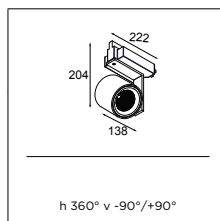
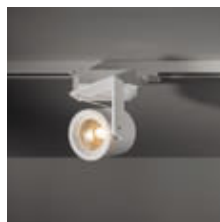
SURFACE	RECESSED	POWER FEED LEFT
11240601	11241701	POWER FEED LEFT WHITE SHINY
11240602	11241702	POWER FEED LEFT BLACK
11240605	11241705	POWER FEED LEFT ALU

SURFACE	RECESSED	ENDPLATE
11241401	11241401	ENDPLATE WHITE SHINY
11241402	11241402	ENDPLATE BLACK
11241405	11241405	ENDPLATE ALU

SEE MAIN CATALOGUE FOR ADDITIONAL TRACK COMPONENTS

ECO LED GI

Single round LED GI



1X LED ARRAY INCL. 37W



NOT DIMMABLE	WARM WHITE 2700K / CRI90+			WARM WHITE 3000K / CRI90+			NEUTRAL WHITE 4000K / CRI90+		
	SPOT 15°	MEDIUM 25°	FLOOD 40°	SPOT 15°	MEDIUM 25°	FLOOD 40°	SPOT 15°	MEDIUM 25°	FLOOD 40°
black struc	13030032	13030332	13030632	13030132	13030432	13030732	13030232	13030532	13030832
white struc	13030009	13030309	13030609	13030109	13030409	13030709	13030209	13030509	13030809

TRAILING EDGE DIMMABLE	WARM WHITE 2700K / CRI90+			WARM WHITE 3000K / CRI90+			NEUTRAL WHITE 4000K / CRI90+		
	SPOT 15°	MEDIUM 25°	FLOOD 40°	SPOT 15°	MEDIUM 25°	FLOOD 40°	SPOT 15°	MEDIUM 25°	FLOOD 40°
black struc	13031032	13031332	13031632	13031132	13031432	13031732	13031232	13031532	13031832
white struc	13031009	13031309	13031609	13031109	13031409	13031709	13031209	13031509	13031809

! 3500K on request



SINGLE SQUARE

All the right angles

Single square is a real player that likes to go to town on its hinge points and square corners which are incorporated into the design. This means that this fixture is a versatile and highly directional spotlight, which is installed using the rail system. Single square is chiefly used in retail projects. Thanks to the integration of the new M-LED 111 and the relevant LED gear, Single square has become an extremely high performing and ideal retail spotlight.



SINGLE SQUARE

Single square



SINGLE SQUARE



SINGLE SQUARE

Single square

ACCESSORIES

INSTALLATION - TRACK

SURFACE	RECESSED	PROFILE
11242201	11242401	PROFILE 1M WHITE SHINY
11242202	11242402	PROFILE 1M BLACK
11242205	11242405	PROFILE 1M ALU
11240101	11240301	PROFILE 2M WHITE SHINY
11240102	11240302	PROFILE 2M BLACK
11240105	11240305	PROFILE 2M ALU

SURFACE	RECESSED	POWER FEED RIGHT
11240501	11241601	POWER FEED RIGHT WHITE SHINY
11240502	11241602	POWER FEED RIGHT BLACK
11240505	11241605	POWER FEED RIGHT ALU

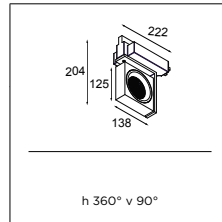
SURFACE	RECESSED	POWER FEED LEFT
11240601	11241701	POWER FEED LEFT WHITE SHINY
11240602	11241702	POWER FEED LEFT BLACK
11240605	11241705	POWER FEED LEFT ALU

SURFACE	RECESSED	ENDPLATE
11241401	11241401	ENDPLATE WHITE SHINY
11241402	11241402	ENDPLATE BLACK
11241405	11241405	ENDPLATE ALU

SEE MAIN CATALOGUE FOR ADDITIONAL TRACK COMPONENTS

ECO LED GI

Single square LED GI



1X LED ARRAY INCL. 37W



NOT DIMMABLE	WARM WHITE 2700K / CRI90+			WARM WHITE 3000K / CRI90+			NEUTRAL WHITE 4000K / CRI90+		
	SPOT 15°	MEDIUM 25°	FLOOD 40°	SPOT 15°	MEDIUM 25°	FLOOD 40°	SPOT 15°	MEDIUM 25°	FLOOD 40°
black struc	11401032	11401332	11401632	11401132	11401432	11401732	11401232	11401532	11401832
white struc	11401009	11401309	11401609	11401109	11401409	11401709	11401209	11401509	11401809

TRAILING EDGE DIMMABLE	WARM WHITE 2700K / CRI90+			WARM WHITE 3000K / CRI90+			NEUTRAL WHITE 4000K / CRI90+		
	SPOT 15°	MEDIUM 25°	FLOOD 40°	SPOT 15°	MEDIUM 25°	FLOOD 40°	SPOT 15°	MEDIUM 25°	FLOOD 40°
black struc	11402032	11402332	11402632	11402132	11402432	11402732	11402232	11402532	11402832
white struc	11402009	11402309	11402609	11402109	11402409	11402709	11402209	11402509	11402809

! 3500K on request



SMART ASY LOTIS 48



Discrete guidance

In 2012, Modular launched Smart, a diverse family of spotlights with cutting-edge technology encased in a typical Modular design. Today we are launching a stranger in our Smart midst: Smart asy lotis 48. It has all the features of the Smart lotis family but has one additional benefit: asymmetry. The light shines down at an angle of 28°, which creates an attractive light spread on the surface.



SMART ASY LOTIS 48, H55
PLUSPUNT ARCHITECTUUR, WAREGEM (BE)
PLUSPUNT ARCHITECTUUR

Smart asy lotis 48



Smart asy lotis 48

ACCESSORIES

ELECTRICAL - DRIVERS

SEE GOODIES SECTION

INSTALLATION - CONBOX

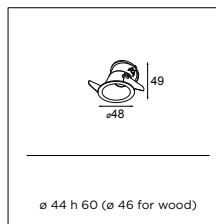
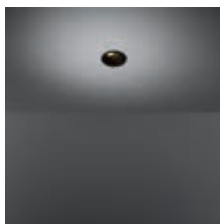
10889530 CONBOX 100X123X80X187

INSTALLATION - GYPKIT

12290730 GYPKIT 100X120 - Ø45

ECO LED GE

Smart asy lotis 48 LED GE



ø 44 h 60 (ø 46 for wood)

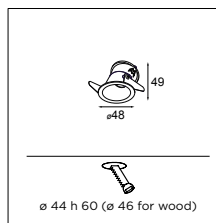
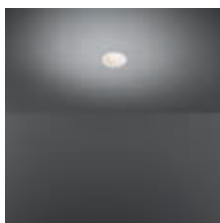
1X HIGH POWER LED INCL. 1.5W



	WARM WHITE 3000K / CRI85 MEDIUM 25°
black struc	12890032
white struc	12890009

ECO LED GE

Smart asy lotis 48 IP54 LED GE

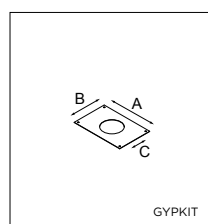
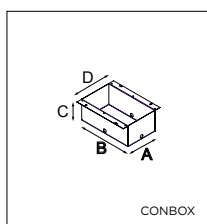


ø 44 h 60 (ø 46 for wood)

1X HIGH POWER LED INCL. 1.5W



	WARM WHITE 3000K / CRI85 MEDIUM 25°
black struc	12891032
white struc	12891009





SMART CAKE 48



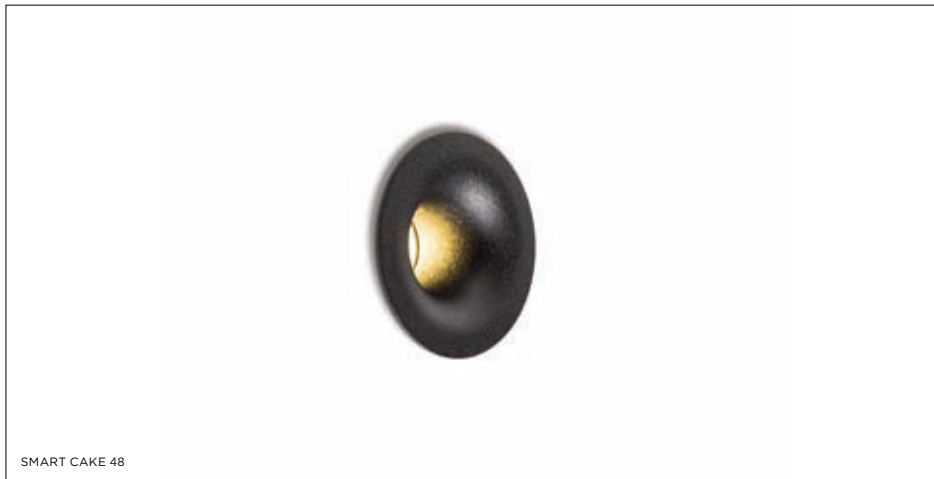
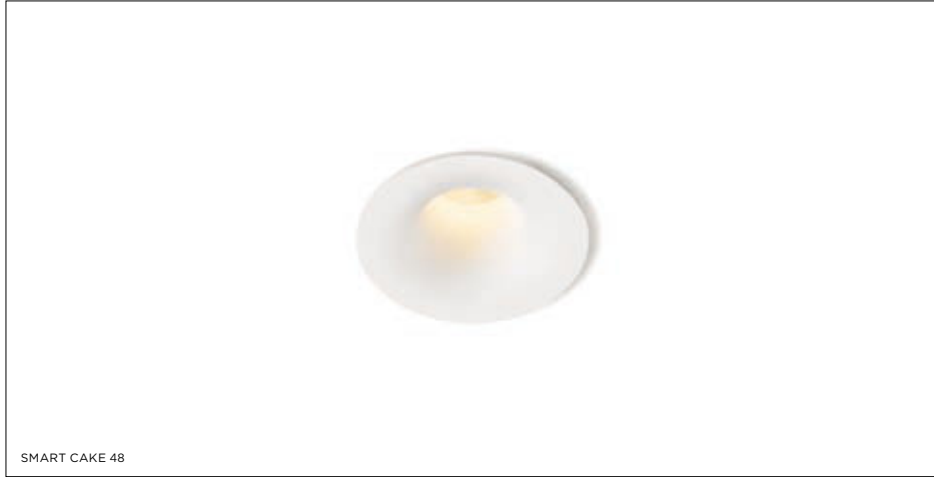
Soft light

Smart cake is part of the Smart family. This family's styling is based on our most popular iconic designs. Its gently sloping sides ensure a soft distribution of light. Since its introduction in 2012, Smart has become an extensive portfolio with a broad range of accessories. Today we are launching a new diameter. The new 48 mm spotlight is also suitable for bathroom and other humid areas. Both IP20 and IP54 versions can be combined with the Smart surface tubed 48.



SMART CAKE
PRIVATE RESIDENCE, WAREGEM (BE)
PLUSPUNT ARCHITECTUUR

Smart cake 48



Smart cake 48

ACCESSORIES

ELECTRICAL - DRIVERS

SEE GOODIES SECTION

INSTALLATION - CONBOX

10889530 CONBOX 100X123X80X187

INSTALLATION - GYPKIT

12290730 GYPKIT 100X120 - Ø45

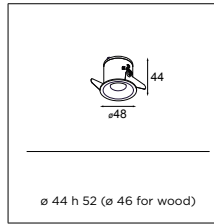
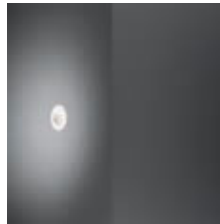
SURFACE TUBED

12900009 SURFACE TUBED 48 GE FOR 1X LED WHITE STRUC

12900032 SURFACE TUBED 48 GE FOR 1X LED BLACK STRUC

ECO LED GE

Smart cake 48 LED GE



ø 44 h 52 (ø 46 for wood)

1X HIGH POWER LED INCL. 1.5W

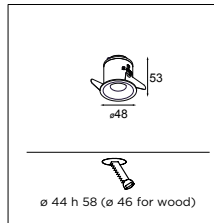
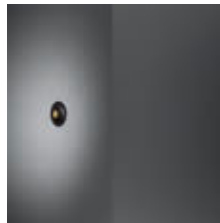


	WARM WHITE 3000K / CRI85 MEDIUM 25°
black struc	12870032
white struc	12870009

! CAN BE COMBINED WITH SMART SURFACE TUBED

ECO LED GE

Smart cake 48 IP54 LED GE



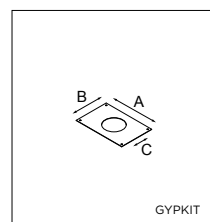
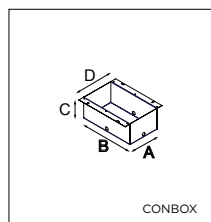
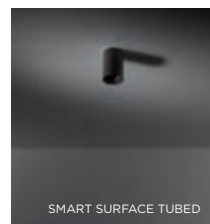
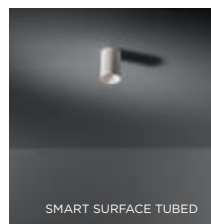
ø 44 h 58 (ø 46 for wood)

1X HIGH POWER LED INCL. 1.5W



	WARM WHITE 3000K / CRI85 MEDIUM 25°
black struc	12871032
white struc	12871009

! CAN BE COMBINED WITH SMART SURFACE TUBED





SMART KUP 48



Subtle lighting

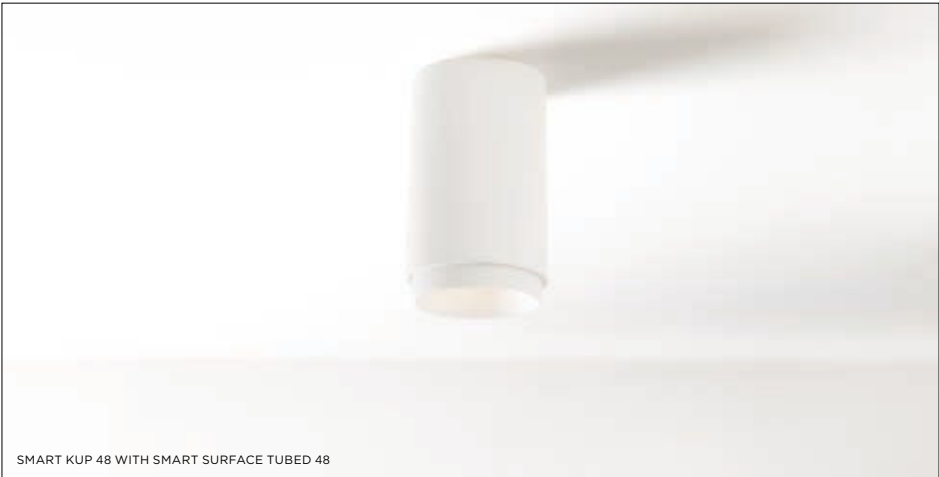
Smart kup is one of the 3 forms of the Smart family. The cone of the Smart kup ends in a fine trim. The same subtle trim is used in several other Modular luminaires. The new 48 mm spotlight is also suitable for bathroom and other humid areas. Both IP20 and IP54 versions can be combined with the Smart surface tubed 48.

Smart kup 48



SMART KUP 48 WITH SMART SURFACE TUBED 48
PRIVATE RESIDENCE, WAREGEM (BE)
PLUSPUNT ARCHITECTUUR

Smart kup 48



Smart kup 48

ACCESSORIES

ELECTRICAL - DRIVERS

SEE GOODIES SECTION

INSTALLATION - CONBOX

10889530 CONBOX 100X123X80X187

INSTALLATION - GYPKIT

12290730 GYPKIT 100X120 - Ø45

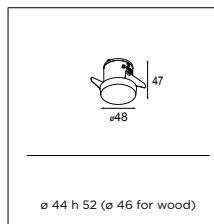
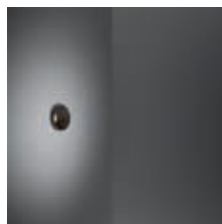
SURFACE TUBED

12900009 SURFACE TUBED 48 GE FOR 1X LED WHITE STRUC

12900032 SURFACE TUBED 48 GE FOR 1X LED BLACK STRUC

ECO LED GE

Smart kup 48 LED GE



ø 44 h 52 (ø 46 for wood)

1X HIGH POWER LED INCL. 1.5W

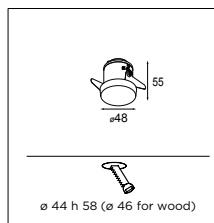
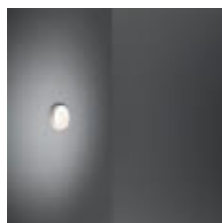


	WARM WHITE 3000K / CRI85 MEDIUM 25°
black struc	12880032
white struc	12880009

! CAN BE COMBINED WITH SMART SURFACE TUBED

ECO LED GE

Smart kup 48 IP54 LED GE



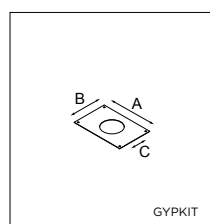
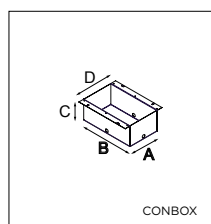
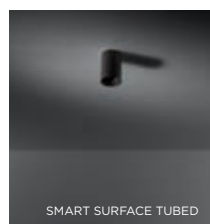
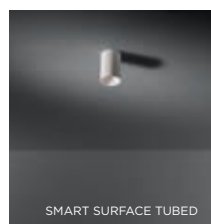
ø 44 h 58 (ø 46 for wood)

1X HIGH POWER LED INCL. 1.5W



	WARM WHITE 3000K / CRI85 MEDIUM 25°
black struc	12881032
white struc	12881009

! CAN BE COMBINED WITH SMART SURFACE TUBED





SMART LOTIS 48



Timeless light

Smart lotis is the best known fixture within the Smart family. The deeply recessed cone which holds the light source inspired the designers to create a highly versatile spot to be combined with multiple accessories. Now the range is extended with a smaller diameter. Playful setting of multiple Smart lotis on the ceiling or fixed in the wall generate a subtle guide in your space. The new 48 mm spotlight is also suitable for bathroom and other humid areas. Both IP20 and IP54 versions can be combined with the Smart surface tubed 48.



SMART LOTIS 48 WITH SMART SURFACE TUBED 48
PRIVATE RESIDENCE, WAREGEM (BE)
PLUSPUNT ARCHITECTUUR

Smart lotis 48



ACCESSORIES

ELECTRICAL - DRIVERS

SEE GOODIES SECTION

INSTALLATION - CONBOX

10889530 CONBOX 100X123X80X187

INSTALLATION - GYPKIT

12290730 GYPKIT 100X120 - Ø45

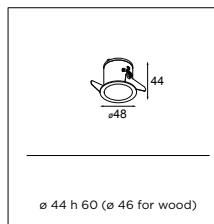
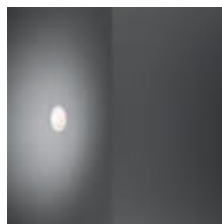
SURFACE TUBED

12900009 SURFACE TUBED 48 GE FOR 1X LED WHITE STRUC

12900032 SURFACE TUBED 48 GE FOR 1X LED BLACK STRUC

ECO LED GE

Smart lotis 48 LED GE



ø 44 h 60 (ø 46 for wood)

1X HIGH POWER LED INCL. 1.5W

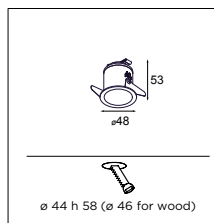
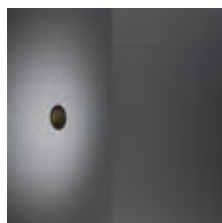


	WARM WHITE 3000K / CRI85 MEDIUM 25°
black struc	12860032
white struc	12860009

! CAN BE COMBINED WITH SMART SURFACE TUBED

ECO LED GE

Smart lotis 48 IP54 LED GE



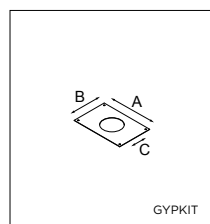
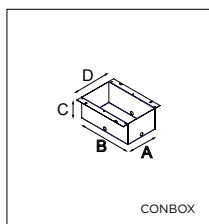
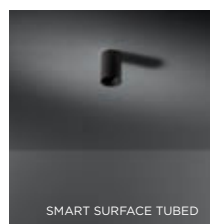
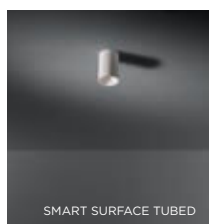
ø 44 h 58 (ø 46 for wood)

1X HIGH POWER LED INCL. 1.5W



	WARM WHITE 3000K / CRI85 MEDIUM 25°
black struc	12861032
white struc	12861009

! CAN BE COMBINED WITH SMART SURFACE TUBED



Smart combinations

LET'S GET SMART

The Smart family is known for its multiple possibilities and endless combinations. The spotlights can be combined with various accessories to offer the perfect solution for any interior. Start combining now!

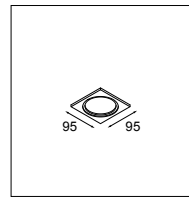
Smart spots — Available in three designs: Smart cake, Smart kup and Smart lotis. The spotlights come in three different sizes and three colours.

Smart mask — Although most spotlights are round, there is an increasing demand for rectangular or square accents on the ceiling. The Smart mask responds perfectly to this trend. Smart masks are available for Smart 82 and Smart 115 spotlights and come in black, white or gold, which allows you to play with colour contrasts.

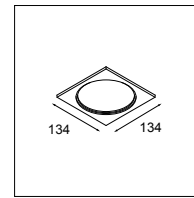
Smart surface box — If you cannot recess spotlights into the ceiling but would still like to use this form of lighting, simply choose Smart surface box: a square or rectangular box which is mounted on the ceiling and houses one or two spotlights. Available for Smart 82 and Smart 115.

Smart surface tubed — As well as the rectangular surface box for the ceiling, there is also a cylindrical alternative. Smart surface tubed is available for Smart 48 and Smart 82.

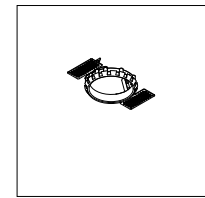
OVERVIEW ACCESSORIES - RECESSED



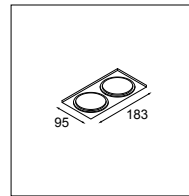
SMART 82
MASK 1X



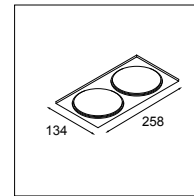
SMART 115
MASK 1X



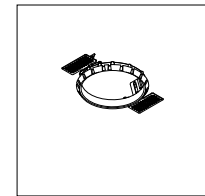
SMART 82
RECESSED RING



SMART 82
MASK 2X

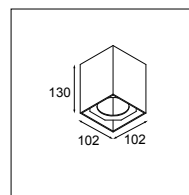


SMART 115
MASK 2X

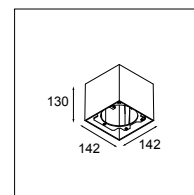


SMART 115
RECESSED RING

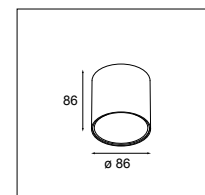
OVERVIEW ACCESSORIES - SURFACE



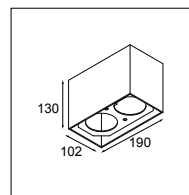
SMART 82
SURFACE BOX 1X



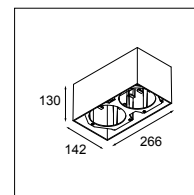
SMART 115
SURFACE BOX 1X



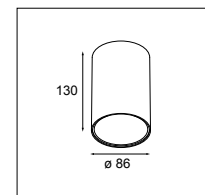
SMART 82
SURFACE TUBED SHORT



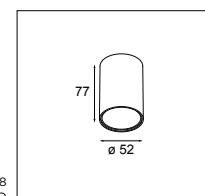
SMART 82
SURFACE BOX 2X



SMART 115
SURFACE BOX 2X



SMART 82
SURFACE TUBED LONG



SMART 48
SURFACE TUBED

Smart combinations

type	IP	color	source	power supply	lumen output	power	ø 48	ø 82			ø 115		
								recessed ring	Smart mask		recessed ring	Smart mask	
									1X	1X		2X	1X
ø 48	fix	IP20 IP54	high power LED	350mA	100lm	1W							
				500mA	125lm	1.5W							
ø 82	fix	IP20	LED 900lm GE	350mA	500lm	7W		Ⓜ	Ⓜ	Ⓜ			
				500mA	900lm	10W		Ⓜ	Ⓜ	Ⓜ			
				230V	<500lm			Ⓜ	Ⓜ	Ⓜ			
	fix	IP54	LED 900lm GE	350mA	500lm	7W		Ⓜ	Ⓜ	Ⓜ			
				500mA	900lm	10W		Ⓜ	Ⓜ	Ⓜ			
				230V	<500lm								
ø 115	adj.	IP20	LED 900lm GE	350mA	500lm	7W					Ⓜ	Ⓜ	Ⓜ
				500mA	900lm	10W					Ⓜ	Ⓜ	Ⓜ
				230V	<500lm						Ⓜ	Ⓜ	Ⓜ
	fix	IP20	LED 1100-3000lm GE	350mA	1100lm	11W					Ⓜ	Ⓜ	Ⓜ
				500mA	1500lm	16W					Ⓜ	Ⓜ	Ⓜ
				700mA	2000lm	24W					Ⓜ	Ⓜ	Ⓜ
				900mA	2500lm	31W					Ⓜ	Ⓜ	Ⓜ
				1050mA	3000lm	37W					Ⓜ	Ⓜ	Ⓜ
				230V	<500lm						Ⓜ	Ⓜ	Ⓜ
	fix	IP54 transparent IP54 diffuse	LED 1100-3000lm GE	350mA	1100lm	11W					Ⓜ	Ⓜ	Ⓜ
				500mA	1500lm	16W					Ⓜ	Ⓜ	Ⓜ
				700mA	2000lm	24W					Ⓜ	Ⓜ	Ⓜ
				900mA	2500lm	31W					Ⓜ	Ⓜ	Ⓜ
				1050mA	3000lm	37W					Ⓜ	Ⓜ	Ⓜ
				230V	<500lm						Ⓜ	Ⓜ	Ⓜ

type	IP	color	source	power supply	lumen output	power	ø 48	ø 82				ø 115		
								Smart surface tubed	Smart surface tubed		Smart surface box		Smart surface box	
									short/GE h 85mm	long/GI h 130mm	long/GE h 130mm	GI h 130mm	GE h 130mm	GI h 130mm
ø 48	fix	IP20 IP54	high power LED	500mA	125lm	1.5W		1X	1X	1X	1X	1X	1X	
ø 82	fix	IP20	LED 900lm GE	500mA	900lm	10W		Ⓜ	Ⓜ	Ⓜ	Ⓜ	Ⓜ		
				230V	<500lm						Ⓜ	Ⓜ		
				500mA	900lm	10W								
ø 115	adj.	IP20	LED 900lm GE	500mA	900lm	10W						Ⓜ	Ⓜ	
				230V	<500lm								Ⓜ	
	fix	IP20	LED 1100-3000lm GE	500mA	1500lm	16W						Ⓜ	Ⓜ	

○ white structure

● black structure

● gold

Ⓜ Smart combination

* not possible with Smart asy lotis 48



design in cooperation with
Gerd Couckhuyt

VAEDER

Glare-free working light

With a name derived from the English verb 'evade', it is clear from the start that Vaeder will run a mile from the merely average. This new fixture feels equally at home in an energy-efficient, ergonomic office environment as in a home office. Its characteristic honeycomb structure in combination with a wafer-thin diffuser reduces glare to a minimum, whilst Vaeder's ground breaking LED lighting results in an energy-efficient and high performing office fixture, responding to the official standard EN 12464-1.

VAEDER BLACK STRUCTURE / WHITE



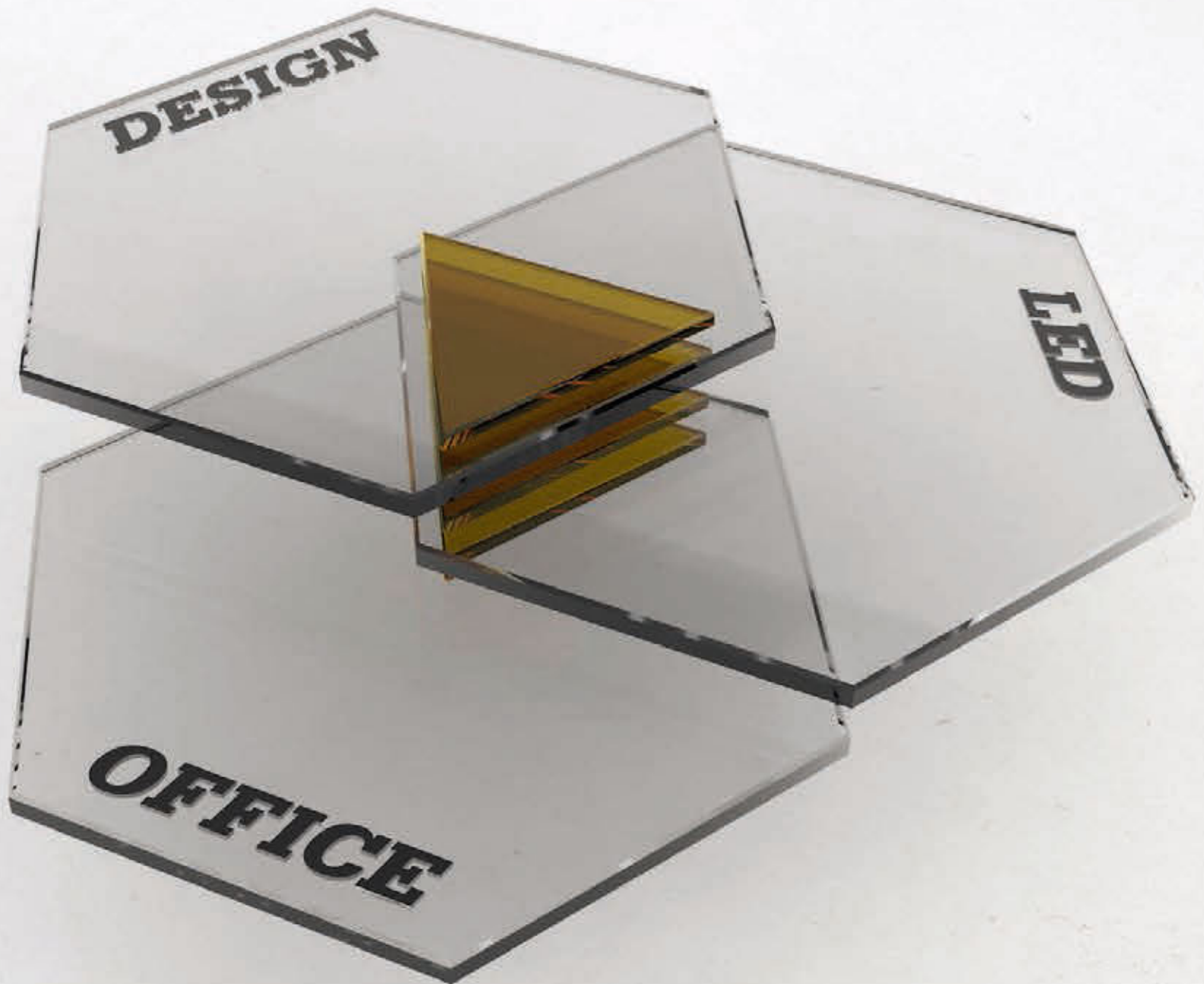
VAEDER SUSPENSION BLACK STRUCTURE / WHITE
ATELIER BJORN VERLINDE, ROESELARE (BE)

CHALLENGING BRIEFING

Vaeder is the result of a 3 pillar based briefing to the designer and engineers:

Modular worthy design, working with highly efficient technology and measuring up to the office standard EN 12464-1.

An endless search to create an outstanding unique and high performant luminaire.





ATYPICAL SHAPE

Modular was aiming to create a practical alternative, and once again it drew inspiration from the nature world. For Vaeder, the honeycomb provided the inspiration for developing a better-performing fixture. The natural structure has been improved, both visually and functionally. Thus the combs themselves are slightly more rounded and have been deepened. The hexagonal sides have been reshaped so that they connect seamlessly to the outer shell, whilst remaining recognizable.

ENDLESS SUSPENCE

In an office market, dominated by straight, clean lines, Vaeder's creative interplay of lines clearly reveals the hand of its designer, Gerd Couckhuyt. 'For Vaeder, I created a blend of the age-old symbols for man (\wedge) and woman (\vee). You can see this on the face side of the fixture. They are embracing one another and at the same time, suspense is created between man/woman, and dominant/elegant. Together they produce a fixture that is endless.'





VAEDER SUSPENSION BLACK STRUCTURE / BLACK
PLUSPUNT ARCHITECTUUR, WAREGEM (BE)
PLUSPUNT ARCHITECTUUR



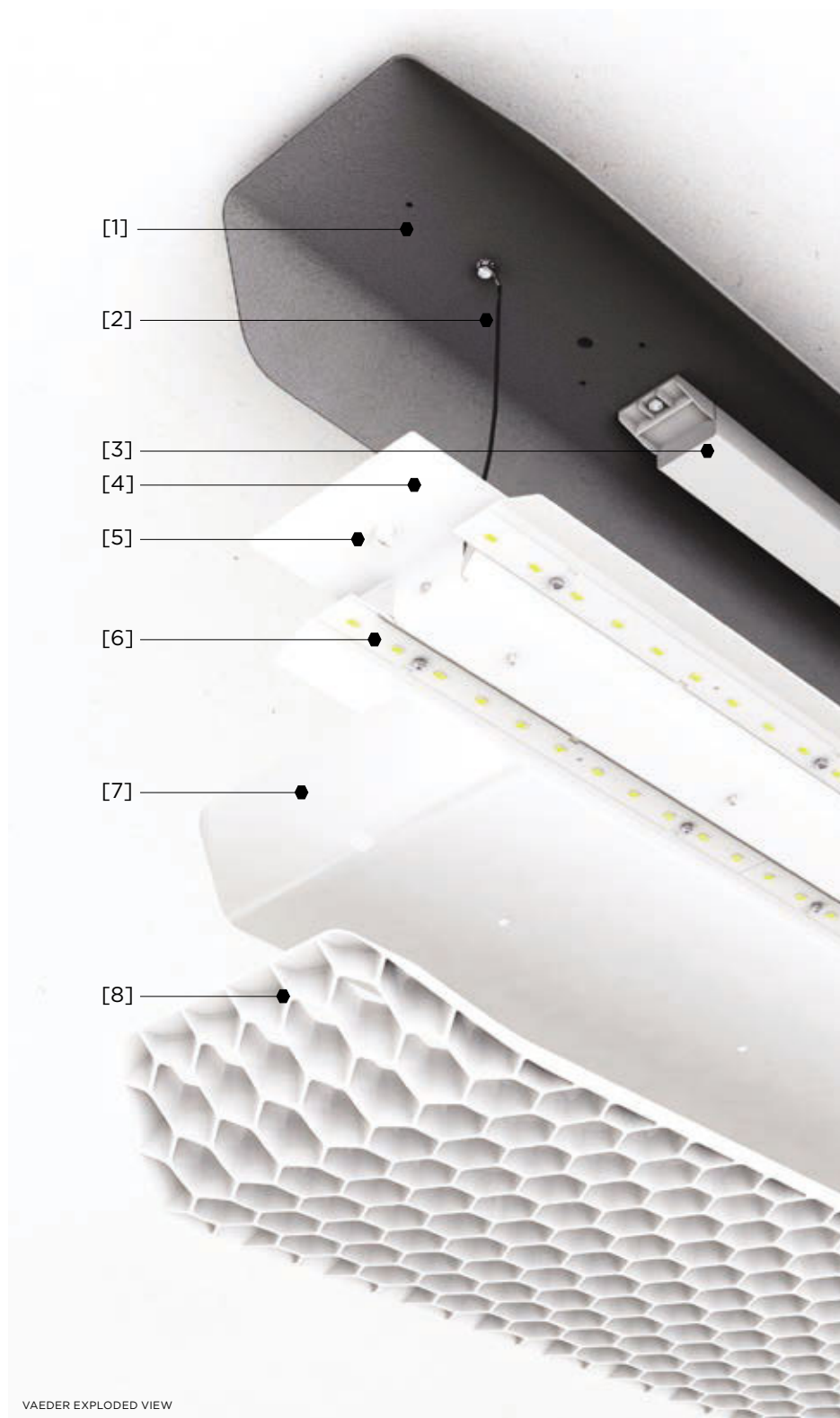
Vaeder



VAEDER WHITE STRUCTURE / WHITE

ENGINEERING DESIGN

- [1] **Shell** — Manufactured from a folded sheet of aluminum and finished off with a fine structured powder painted low gloss.
- [2] **Safety cable** — Provides the necessary comfort during connection of the wires and installation.
- [3] **Gear** — Fixed on the outer shell and standard dimmable (1-10V/Pushdim/Dali).
- [4] **Reflector** — Made in aluminum and shaped to optimize the reflection of the LEDs.
- [5] **Retained panel screws** — Screws attached to the reflector cannot be lost during installation and stand for Modulares' engineering ingenuity.
- [6] **LED** — Vaeder uses high-efficiency power LEDs, known for their self-cooling capability. With a CRI 80 and selected colour temperature of 3000K and 4000K (on request).
- [7] **Diffuser foil** — Enables a more equal light spread. Made of polycarbonate of 0.5 mm thick.
- [8] **Honeycomb** — Designed as an ABS injection molded part and is impact resistant. The wet painted finishing comes in black and white. The honeycomb connects seamlessly to the outer shell.



Vaeder



VAEDER SUSPENSION BLACK STRUCTURE / WHITE
OFFICE, KORTRIJK (BE)

TECHNICAL FEATURES

(for Vaeder with white honeycomb)

Luminous efficacy — 74.5lm/W

Luminaire flux — 2681lm

Power consumption — 36W

UGR — 16

CRI — 80

Light spread — 65°

Binning — 3.5 SDCM

Life cycle LED — 50000h / L70

Warranty — 5 years

UGR 16

Because of its unique composition of one LED source and three optical components, this luminaire provides bright and glare-free light with an optimum UGR value of 16. Vaeder becomes as such a perfect LED alternative for office luminaires with the traditional fluorescent T5/T8 lamps. With optimal results on light distribution, visual comfort and efficacy, this luminaire fully meets the office standard EN 12464-1.



Vaeder

EVADE OR STAY

Vaeder can be supplied either surface mounted or as a pendant. For surface mounting, it is positioned a small distance from the ceiling (6 mm), which gives it a lighter and more floating look.

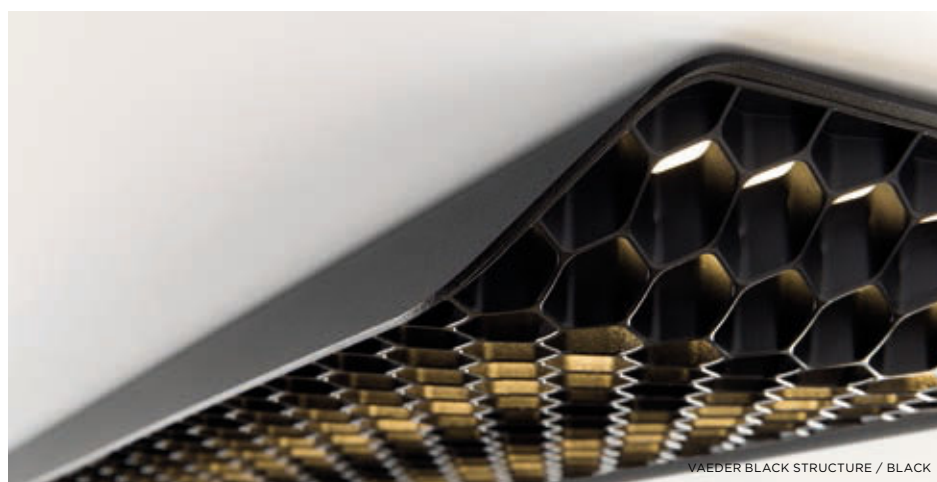
In its pendant version, Vaeder's soft curves create a futuristic fixture that appears to be floating out of another dimension. Using the power feed recessed suspension kit emphasizes the minimalistic look of the luminaire.

For esthetic purposes, the suspension cylinders have been reduced in size (h 11 mm ø 16 mm). The new adjuster system allows to tweak the luminaire suspension height.





VAEDER SUSPENSION WHITE STRUCTURE / WHITE
(POWER FEED RECESSED)



VAEDER BLACK STRUCTURE / BLACK

CHANGE OF COLOURS

—
Vaeder is available with an outer shell in a white, black or (new!) donkey grey structure. The honeycomb is available in black or white.

Vaeder

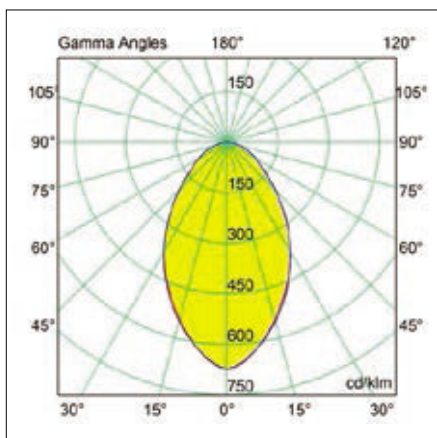


VAEDER SUSPENSION WHITE STRUCTURE / WHITE
LEIEDAL, KORTRIJK (BE)

PHOTOMETRIC DATA

POLAR & BEAM DIAGRAM

FOR VAEDER WITH WHITE HONEYCOMB

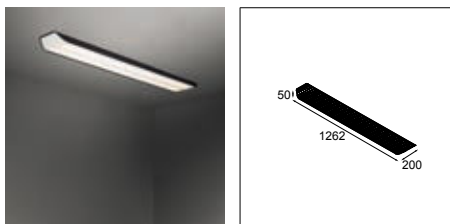


H[m]	D[m]	Eav[lux]	Emax[lux]
1.00	1.30	832	1802
2.00	2.60	208	461
3.00	3.91	92	200
4.00	5.21	52	113
5.00	6.51	33	72

2680 lm beam angle 66.1° η = 100 %

ECO LED GI

Vaeder LED GI



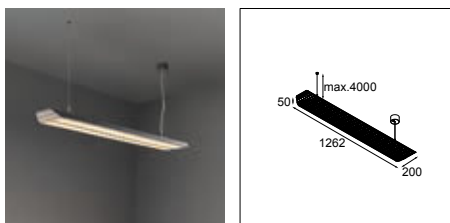
8X LED LINE INCL. 8.1W

230V IP20 GWT 960° 4.2KG

1-10V/DALI/PUSHDIM	WARM WHITE 3000K / CRI80
black struc - black	14080148
black struc - white	14080172
donkey grey struc - black	14080175
donkey grey struc - white	14080174
white struc - black	14080129
white struc - white	14080173

ECO LED GI

Vaeder suspension (power feed surface) LED GI



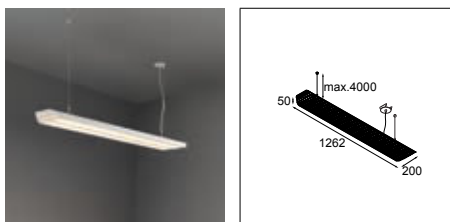
8X LED LINE INCL. 8.1W

230V IP20 GWT 960° 4.7KG

1-10V/DALI/PUSHDIM	WARM WHITE 3000K / CRI80
black struc - black	14081148
black struc - white	14081172
donkey grey struc - black	14081174
donkey grey struc - white	14081175
white struc - black	14081173
white struc - white	14081129

ECO LED GI

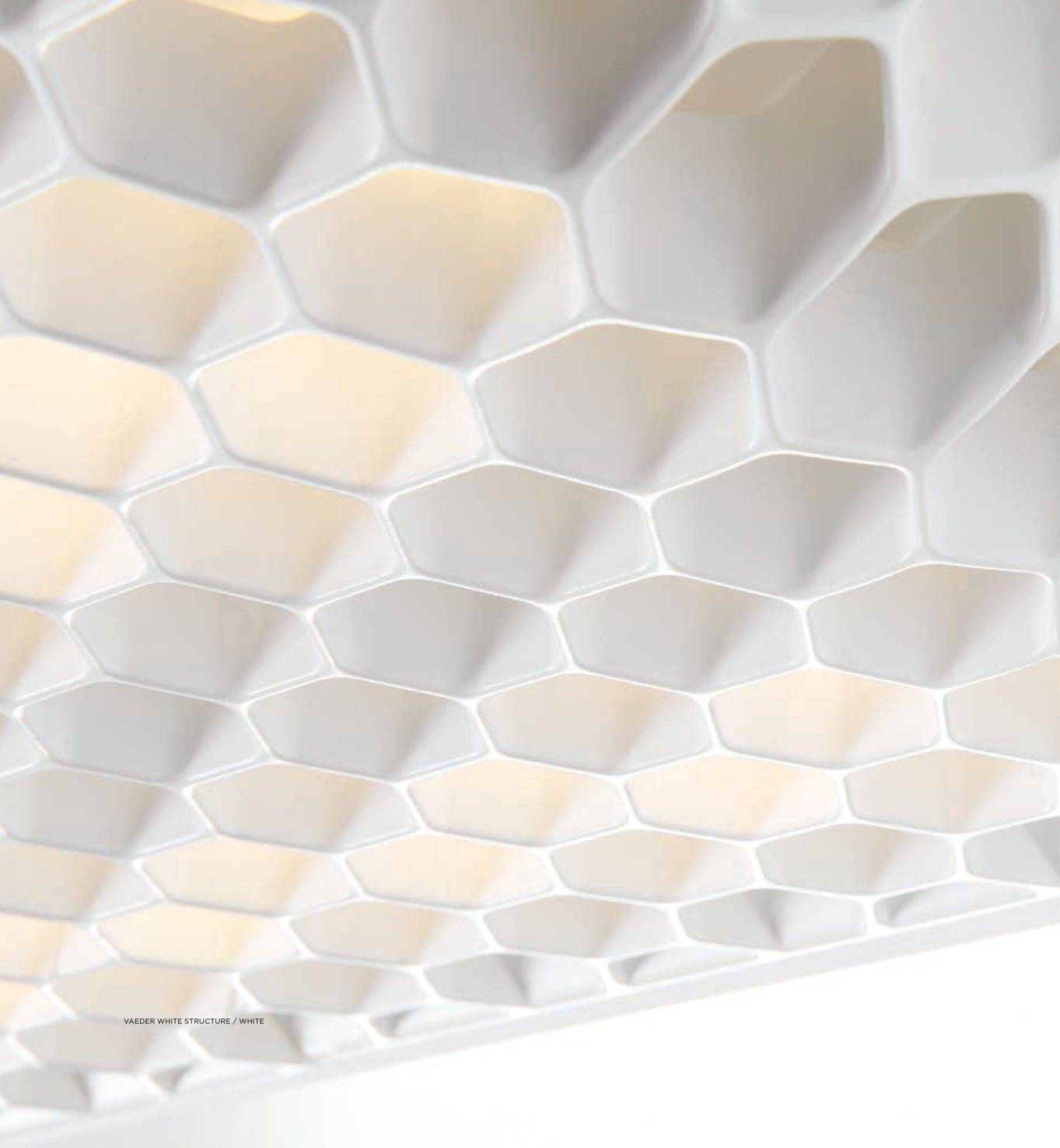
Vaeder suspension (power feed recessed) LED GI



8X LED LINE INCL. 8.1W

230V IP20 GWT 960° 4.8KG

1-10V/DALI/PUSHDIM	WARM WHITE 3000K / CRI80
black struc - black	14081248
black struc - white	14081272
donkey grey struc - black	14081274
donkey grey struc - white	14081275
white struc - black	14081273
white struc - white	14081229

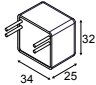

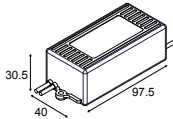








VAEDER WHITE STRUCTURE / WHITE

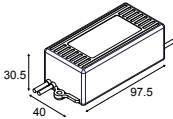

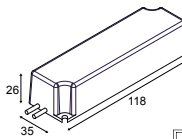

GOODIES


Driver matrix

Modular distribution list

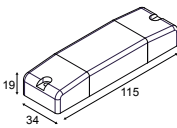

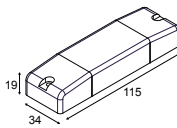

	 	 
Reference	11389930	12402530
Dimensions (LxWxH)	34x32x25	97.5x40x30.5
Input	100-240V 50/60Hz	90-240V 50/60Hz
Ambient temperature	-25°C to +50°C	-25°C to +60°C
Power factor (max)	0.57	0.45
Dimming	-	-
Output	350mA / 1W 2-6V DC	350mA / 10.5W 3-30V DC




Cake 48 IP55 LED GE	1	2-10 
Hipy 110 IP67 LED GE		1
Hipy 70 IP67 LED GE		3
Julien IP54 LED GE		3
Lotis 48 IP55 LED GE	1	2-10 
Marty LED GE	1	2-10 
Mini a(r)mor LED GE	1	2-10 
Smart asy lotis / cake / kup / lotis 48 (IP54) LED GE	1	2-10 

	 	 
Reference	12402930	10889930
Dimensions (LxWxH)	97.5x40x30.5	118x35x26
Input	90-240V 50/60Hz	100-240V 50/60Hz
Ambient temperature	-25°C to +60°C	-30°C to +70°C
Power factor (max)	0.45	0.45
Dimming	-	-
Output	500mA / 10W 3-20V DC	700mA / 20W 9-30V DC

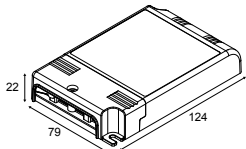






Cake 48 IP55 LED GE	2-6 	
Hipy 110 IP67 LED GE	1	1 
Hipy 70 IP67 LED GE		
Julien IP54 LED GE		
Lotis 48 IP55 LED GE	2-6 	
Marty LED GE		
Mini a(r)mor LED GE		
Smart asy lotis / cake / kup / lotis (IP54) LED GE	2-6 	

 driver does not fit through cutout hole of fixture

	  CE IP 20	  CE IP 20
Reference	12403730	12400730
Dimensions (LxWxH)	115x34x19	115x34x19
Input	220-240V 50/60Hz	220-240V 50/60Hz
Ambient temperature	-25°C to +45°C	-25°C to +45°C
Power factor (max)	0.54	0.54
Dimming	-	-
Max drivers on MCB 16A type B	27	27
Output	350mA / 15W 1-43V DC	500mA / 12W 1-24V DC

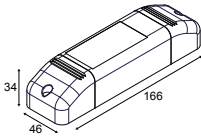







Cake 48 IP55 LED GE	14	8
Chapeau 206 LED GE	2	1
Duell recessed 1x LED GE	2	1
Duell recessed 2x LED GE	1	
Ex-L low 158 LED GE	1	
Grib LED GE	4	
Hipy 110 IP67 LED GE	2 	1 
Hipy 70 IP67 LED GE	4 	
Intro 89 IP44 GE	2	1
Julien IP54 LED GE	4	
K-O 80 LED GE	2	1
K-1 89 LED GE	2	1
Kurk IP40 LED GE	2	1
Kurk surface IP40 LED GE	2	1
Lotis 48 IP55 LED GE	14	8
Lotis 82 (concrete) LED GE	2	1
Lotis 86 IP55 LED GE	2	1
Lotis 97 (concrete) adjustable LED GE	2	1
Lotis square (IP55) LED GE	2	1
Marty LED GE	14	
Mini a(r)mor LED GE	14	
Mini multiple 1x LED GE	2	1
Mini multiple 2x LED GE	1	
Mini multiple 3x LED GE		
Mini multiple 4x LED GE		
M-LED 111 GE	1	
Nomad 2x LED GE	1	
Nomad 4x LED GE		
Rektor recessed LED GE	1	
Scotty 270 adjustable LED GE	1	
Scotty 270 LED GE	1	
Slide square clockwork LED GE	2	1
Slide square IP44 LED GE	2	1
Slide square LED GE	2	1
Slide twin LED GE	1	
Smart asy lotis / cake / kup / lotis 48 (IP54) LED GE	14	8
Smart cake / kup / lotis 82 (IP54) LED GE	2	1
Smart cake / kup / lotis 115 adjustable LED GE	2	1
Smart cake / kup / lotis 115 (diffuse) (IP54) LED GE	1	
Stove LED GE	2	1
Thub metal 120 LED GE	2	1

 driver does not fit through cutout hole of fixture

					
	 CE IP 20				
Reference	12403430				
Dimensions (LxWxH)	124x79x22				
Input	220-240V 50/60Hz				
Ambient temperature	-25°C to +45°C				
Power factor (max)	0.95				
Dimming	-				
Max drivers on MCB 16A type B	15				
Output	350mA / 25W 1-74V DC	500mA / 35W 1-72V DC	700mA / 50W 1-71V DC	900mA / 50W 1-55V DC	1050mA / 50W 1-48V DC
DIP-switch setting	 ON OFF	 ON OFF	 ON OFF	 ON OFF	 ON OFF

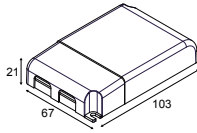




Cake 48 IP55 LED GE	23	23			
Chapeau 206 LED GE	3	3	3		
Duell recessed 1x LED GE	3	3			
Duell recessed 2x LED GE	1	1			
Ex-L low 158 LED GE	2	2	1	1	
Grib LED GE	7				
Hipy 110 IP67 LED GE	3	3	3		
Hipy 70 IP67 LED GE	7				
Intro 89 IP44 GE	3	3			
Julien IP54 LED GE	7				
K-0 80 LED GE	3	3			
K-1 89 LED GE	3	3			
Kurk IP40 LED GE	3	3	3		
Kurk surface IP40 LED GE	3	3	3		
Lotis 48 IP55 LED GE	23	23			
Lotis 82 (concrete) LED GE	3	3			
Lotis 86 IP55 LED GE	3	3			
Lotis 97 (concrete) adjustable LED GE	3	3			
Lotis square (IP55) LED GE	3	3			
Marty LED GE	23				
Mini a(r)mor LED GE	23				
Mini multiple 1x LED GE	3	3			
Mini multiple 2x LED GE	1	1			
Mini multiple 3x LED GE	1	1			
Mini multiple 4x LED GE					
M-LED 111 GE	2	2	2	1	
Nomad 2x LED GE	1	1			
Nomad 4x LED GE					
Rektor recessed LED GE	2	2			
Scotty 270 adjustable LED GE	1				
Scotty 270 LED GE	1	1			
Slide square clockwork LED GE	3	3			
Slide square IP44 LED GE	3	3			
Slide square LED GE	3	3			
Slide twin LED GE	1	1			
Smart asy lotis / cake / kup / lotis 48 (IP54) LED GE	23	23			
Smart cake / kup / lotis 82 (IP54) LED GE	3	3			
Smart cake / kup / lotis 115 adjustable LED GE	3	3			
Smart cake / kup / lotis 115 (diffuse) (IP54) LED GE	2	2	2	1	1
Stove LED GE	3	3	3		
Thub metal 120 LED GE	3	3			

 driver does not fit through cutout hole of fixture

			
	   		
Reference	12400330		
Dimensions (LxWxH)	166x46x34		
Input	220-240V 50/60Hz		
Ambient temperature	-25°C to +45°C		
Power factor (max)	0.97		
Dimming	TRAILING EDGE/LEADING EDGE/PUSH DIM (push dim: optional sync cable 12400100)		
Max drivers on MCB 16A type B	50		
Output	350mA / 17W 1-47V DC	500mA / 24W 1-47V DC	700mA / 32W 1-46V DC
DIP-switch setting			

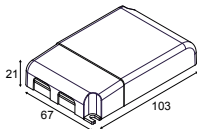






Cake 48 IP55 LED GE	16	△	16	△	
Chapeau 206 LED GE	2		2		2
Duell recessed 1x LED GE	2		2		
Duell recessed 2x LED GE	1		1		
Ex-L low 158 LED GE	1		1		1
Grib LED GE	4				
Hipy 110 IP67 LED GE	2	△	2	△	2
Hipy 70 IP67 LED GE	4	△			
Intro 89 IP44 GE	2		2		
Julien IP54 LED GE	4				
K-0 80 LED GE	2		2		
K-1 89 LED GE	2		2		
Kurk IP40 LED GE	2		2		2
Kurk surface IP40 LED GE	2		2		2
Lotis 48 IP55 LED GE	16	△	16	△	
Lotis 82 (concrete) LED GE	2		2		
Lotis 86 IP55 LED GE	2		2		
Lotis 97 (concrete) adjustable LED GE	2		2		
Lotis square (IP55) LED GE	2		2		
Marty LED GE	16	△			
Mini a(r)mor LED GE	16	△			
Mini multiple 1x LED GE	2		2		
Mini multiple 2x LED GE	1		1		
Mini multiple 3x LED GE					
Mini multiple 4x LED GE					
M-LED 111 GE	1		1		1
Nomad 2x LED GE	1		1		
Nomad 4x LED GE					
Rektor recessed LED GE	1		1		
Scotty 270 adjustable LED GE	1				
Scotty 270 LED GE	1		1		
Slide square clockwork LED GE	2		2		
Slide square IP44 LED GE	2		2		
Slide square LED GE	2		2		
Slide twin LED GE	1		1		
Smart asy lotis / cake / kup / lotis 48 (IP54) LED GE	16	△	16	△	
Smart cake / kup / lotis 82 (IP54) LED GE	2		2		
Smart cake / kup / lotis 115 adjustable LED GE	2		2		
Smart cake / kup / lotis 115 (diffuse) (IP54) LED GE	1		1		1
Stove LED GE	2		2		2
Thub metal 120 LED GE	2		2		

△ driver does not fit through cutout hole of fixture

			
	 CE 1-10V PUSH (SYNC) IP 20		
Reference	12403630		
Dimensions (LxWxH)	103x67x21		
Input	220-240V 50/60Hz		
Ambient temperature	-25°C to +50°C		
Power factor (max)	0.98		
Dimming	1-10V/PUSH DIM (push dim: optional sync cable 12400100)		
Max drivers on MCB 16A type B	15		
Output	350mA / 15W 1-43V DC	500mA / 22W 1-43V DC	700mA / 25W 1-36V DC
DIP-switch setting			

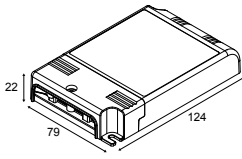

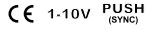
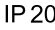
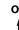
























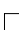




Cake 48 IP55 LED GE	14	⚠	14	⚠	
Chapeau 206 LED GE	2		2		1
Duell recessed 1x LED GE	2		2		
Duell recessed 2x LED GE	1		1		
Ex-L low 158 LED GE	1		1		
Grib LED GE	4				
Hipy 110 IP67 LED GE	2	⚠	2	⚠	1
Hipy 70 IP67 LED GE	4	⚠			
Intro 89 IP44 GE	2		2		
Julien IP54 LED GE	4				
K-O 80 LED GE	2		2		
K-1 89 LED GE	2		2		
Kurk IP40 LED GE	2		2		1
Kurk surface IP40 LED GE	2		2		1
Lotis 48 IP55 LED GE	14	⚠	14	⚠	
Lotis 82 (concrete) LED GE	2		2		
Lotis 86 IP55 LED GE	2		2		
Lotis 97 (concrete) adjustable LED GE	2		2		
Lotis square (IP55) LED GE	2		2		
Marty LED GE	14	⚠			
Mini a(r)mor LED GE	14	⚠			
Mini multiple 1x LED GE	2		2		
Mini multiple 2x LED GE	1		1		
Mini multiple 3x LED GE					
Mini multiple 4x LED GE					
M-LED 111 GE	1		1		1
Nomad 2x LED GE	1		1		
Nomad 4x LED GE					
Rektor recessed LED GE	1	⚠	1	⚠	
Scotty 270 adjustable LED GE	1				
Scotty 270 LED GE	1		1		
Slide square clockwork LED GE	2		2		
Slide square IP44 LED GE	2		2		
Slide square LED GE	2		2		
Slide twin LED GE	1		1		
Smart asy lotis / cake / kup / lotis 48 (IP54) LED GE	14	⚠	14	⚠	
Smart cake / kup / lotis 82 (IP54) LED GE	2		2		
Smart cake / kup / lotis 115 adjustable LED GE	2		2		
Smart cake / kup / lotis 115 (diffuse) (IP54) LED GE	1		1		1
Stove LED GE	2		2		1
Thub metal 120 LED GE	2		2		

⚠ driver does not fit through cutout hole of fixture

			
	   IP 20		
Reference	12403230		
Dimensions (LxWxH)	103x67x21		
Input	220-240V 50/60Hz		
Ambient temperature	-25°C to +50°C		
Power factor (max)	0.98		
Dimming	DALI		
Max drivers on MCB 16A type B	50		
Output	350mA / 15W 1-47V DC	500mA / 24W 1-47V DC	700mA / 32W 1-46V DC
DIP-switch setting			

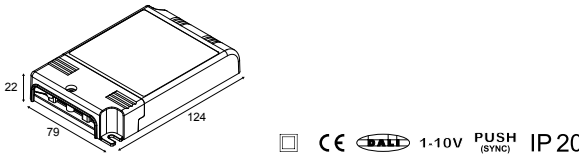





Cake 48 IP55 LED GE	14	⚠	16	⚠	
Chapeau 206 LED GE	2		2		2
Duell recessed 1x LED GE	2		2		
Duell recessed 2x LED GE	1				
Ex-L low 158 LED GE	1		1		1
Grib LED GE	4				
Hipy 110 IP67 LED GE	2	⚠	2	⚠	2
Hipy 70 IP67 LED GE	4	⚠			
Intro 89 IP44 GE	2		2		
Julien IP54 LED GE	4				
K-O 80 LED GE	2		2		
K-1 89 LED GE	2		2		
Kurk IP40 LED GE	2		2		2
Kurk surface IP40 LED GE	2		2		2
Lotis 48 IP55 LED GE	14	⚠	16	⚠	
Lotis 82 (concrete) LED GE	2		2		
Lotis 86 IP55 LED GE	2		2		
Lotis 97 (concrete) adjustable LED GE	2		2		
Lotis square (IP55) LED GE	2		2		
Marty LED GE	14	⚠			
Mini a(r)mor LED GE	14	⚠			
Mini multiple 1x LED GE	2		2		
Mini multiple 2x LED GE	1		1		
Mini multiple 3x LED GE					
Mini multiple 4x LED GE					
M-LED 111 GE	1		1		1
Nomad 2x LED GE	1		1		
Nomad 4x LED GE					
Rektor recessed LED GE	1	⚠	1	⚠	
Scotty 270 adjustable LED GE	1				
Scotty 270 LED GE	1		1		
Slide square clockwork LED GE	2		2		
Slide square IP44 LED GE	2		2		
Slide square LED GE	2		2		
Slide twin LED GE	1		1		
Smart asy lotis / cake / kup / lotis 48 (IP54) LED GE	14	⚠	16	⚠	
Smart cake / kup / lotis 82 (IP54) LED GE	2		2		
Smart cake / kup / lotis 115 adjustable LED GE	2		2		
Smart cake / kup / lotis 115 (diffuse) (IP54) LED GE	1		1		1
Stove LED GE	2		2		2
Thub metal 120 LED GE	2		2		

⚠ driver does not fit through cutout hole of fixture

					
	  				
Reference	12403530				
Dimensions (LxWxH)	124x79x22				
Input	220-240V 50/60Hz				
Ambient temperature	-25°C to +45°C				
Power factor (max)	0.95				
Dimming	1-10V/PUSH DIM (push dim: optional sync cable 12400100)				
Max drivers on MCB 16A type B	15				
Output	350mA / 25W 1-74V DC	500mA / 35W 1-72V DC	700mA / 50W 1-71V DC	900mA / 50W 1-55V DC	1050mA / 50W 1-48V DC
DIP-switch setting	     	     	     	     	     

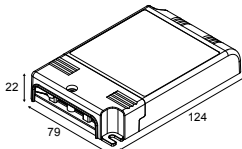

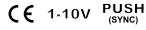
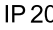



Cake 48 IP55 LED GE	23	△	23	△		
Chapeau 206 LED GE	3		3		3	
Duell recessed 1x LED GE	3		3			
Duell recessed 2x LED GE	1		1			
Ex-L low 158 LED GE	2		2		1	1
Grib LED GE	7					
Hipy 110 IP67 LED GE	3	△	3	△	3	△
Hipy 70 IP67 LED GE	7	△				
Intro 89 IP44 GE	3	△	3	△		
Julien IP54 LED GE	7					
K-0 80 LED GE	3	△	3	△		
K-1 89 LED GE	3	△	3	△		
Kurk IP40 LED GE	3		3		3	
Kurk surface IP40 LED GE	3		3		3	
Lotis 48 IP55 LED GE	23	△	23	△		
Lotis 82 (concrete) LED GE	3	△	3	△		
Lotis 86 IP55 LED GE	3	△	3	△		
Lotis 97 (concrete) adjustable LED GE	3		3			
Lotis square (IP55) LED GE	3	△	3	△		
Marty LED GE	23	△				
Mini a(r)mor LED GE	23	△				
Mini multiple 1x LED GE	3		3			
Mini multiple 2x LED GE	1		1			
Mini multiple 3x LED GE	1		1			
Mini multiple 4x LED GE						
M-LED 111 GE	2		2		2	1
Nomad 2x LED GE	1		1			
Nomad 4x LED GE						
Rektor recessed LED GE	2	△	2	△		
Scotty 270 adjustable LED GE	1					
Scotty 270 LED GE	1		1			
Slide square clockwork LED GE	3		3			
Slide square IP44 LED GE	3		3			
Slide square LED GE	3		3			
Slide twin LED GE	1		1			
Smart asy lotis / cake / kup / lotis 48 (IP54) LED GE	23	△	23	△		
Smart cake / kup / lotis 82 (IP54) LED GE	3	△	3	△		
Smart cake / kup / lotis 115 adjustable LED GE	3		3			
Smart cake / kup / lotis 115 (diffuse) (IP54) LED GE	2		2		2	1
Stove LED GE	3		3		3	
Thub metal 120 LED GE	3		3			

△ driver does not fit through cutout hole of fixture

					
Reference	12400530				
Dimensions (LxWxH)	124x79x22				
Input	220-240V 50/60Hz				
Ambient temperature	-25°C to +45°C				
Power factor (max)	0.95				
Dimming	DALI/1-10V/PUSH DIM (push dim: optional sync cable 12400100)				
Max drivers on MCB 16A type B	15				
Output	350mA / 25W 1-74V DC	500mA / 35W 1-72V DC	700mA / 50W 1-71V DC	900mA / 50W 1-55V DC	1050mA / 50W 1-48V DC
DIP-switch setting					

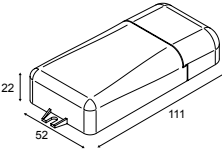


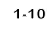
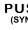


Cake 48 IP55 LED GE	23	△	23	△		
Chapeau 206 LED GE	3		3		3	
Duell recessed 1x LED GE	3		3			
Duell recessed 2x LED GE	1		1			
Ex-L low 158 LED GE	2		2		1	
Grib LED GE	7					
Hipy 110 IP67 LED GE	3	△	3	△	3	△
Hipy 70 IP67 LED GE	7	△				
Intro 89 IP44 GE	3	△	3	△		
Julien IP54 LED GE	7					
K-0 80 LED GE	3	△	3	△		
K-1 89 LED GE	3	△	3	△		
Kurk IP40 LED GE	3		3		3	
Kurk surface IP40 LED GE	3		3		3	
Lotis 48 IP55 LED GE	23	△	23	△		
Lotis 82 (concrete) LED GE	3	△	3	△		
Lotis 86 IP55 LED GE	3	△	3	△		
Lotis 97 (concrete) adjustable LED GE	3		3			
Lotis square (IP55) LED GE	3	△	3	△		
Marty LED GE	23	△				
Mini a(r)mor LED GE	23	△				
Mini multiple 1x LED GE	3		3			
Mini multiple 2x LED GE	1		1			
Mini multiple 3x LED GE	1		1			
Mini multiple 4x LED GE						
M-LED 111 GE	2		2		2	1
Nomad 2x LED GE	1		1			
Nomad 4x LED GE						
Rektor recessed LED GE	2	△	2	△		
Scotty 270 adjustable LED GE	1					
Scotty 270 LED GE	1		1			
Slide square clockwork LED GE	3		3			
Slide square IP44 LED GE	3		3			
Slide square LED GE	3		3			
Slide twin LED GE	1		1			
Smart asy lotis / cake / kup / lotis 48 (IP54) LED GE	23	△	23	△		
Smart cake / kup / lotis 82 (IP54) LED GE	3	△	3	△		
Smart cake / kup / lotis 115 adjustable LED GE	3		3			
Smart cake / kup / lotis 115 (diffuse) (IP54) LED GE	2		2		2	1
Stove LED GE	3		3		3	
Thub metal 120 LED GE	3		3			

△ driver does not fit through cutout hole of fixture

			
	  		
Reference	12400430		
Dimensions (LxWxH)	124x79x22		
Input	220-240V 50/60Hz		
Ambient temperature	-25°C to +50°C		
Power factor (max)	0.95		
Dimming	1-10V/PUSH DIM (push dim: optional sync cable 12400100)		
Max drivers on MCB 16A type B	15		
Output	350mA / 40W 1-112V DC	500mA / 50W 1-100V DC	700mA / 50W 1-70V DC
DIP-switch setting			

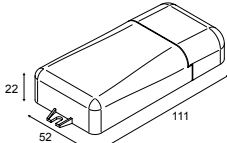


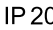



Cake 48 IP55 LED GE	37	△	33	△	
Chapeau 206 LED GE	5		4		3
Duell recessed 1x LED GE	5		4		
Duell recessed 2x LED GE	2		2		
Ex-L low 158 LED GE	3		2		1
Grib LED GE	11				
Hipy 110 IP67 LED GE	5	△	4	△	3
Hipy 70 IP67 LED GE	11	△			
Intro 89 IP44 GE	5	△	4	△	
Julien IP54 LED GE	11				
K-0 80 LED GE	5	△	4	△	
K-1 89 LED GE	5	△	4	△	
Kurk IP40 LED GE	5		4		3
Kurk surface IP40 LED GE	5		4		3
Lotis 48 IP55 LED GE	37	△	33	△	
Lotis 82 (concrete) LED GE	5	△	4	△	
Lotis 86 IP55 LED GE	5	△	4	△	
Lotis 97 (concrete) adjustable LED GE	5		4		
Lotis square (IP55) LED GE	5	△	4	△	
Marty LED GE	37	△			
Mini a(r)mor LED GE	37	△			
Mini multiple 1x LED GE	5		4		
Mini multiple 2x LED GE	2		2		
Mini multiple 3x LED GE	1		1		
Mini multiple 4x LED GE	1		1		
M-LED 111 GE	3		3		2
Nomad 2x LED GE	2		2		
Nomad 4x LED GE	1		1		
Rektor recessed LED GE	3	△	3	△	
Scotty 270 adjustable LED GE	2				
Scotty 270 LED GE	1		1		
Slide square clockwork LED GE	5		4		
Slide square IP44 LED GE	5		4		
Slide square LED GE	5		4		
Slide twin LED GE	2		2		
Smart asy lotis / cake / kup / lotis 48 (IP54) LED GE	37	△	33	△	
Smart cake / kup / lotis 82 (IP54) LED GE	5	△	4	△	
Smart cake / kup / lotis 115 adjustable LED GE	5		4		
Smart cake / kup / lotis 115 (diffuse) (IP54) LED GE	3		3		2
Stove LED GE	5		4		3
Thub metal 120 LED GE	5		4		

△ driver does not fit through cutout hole of fixture

			   
Reference	12403830		
Dimensions (LxWxH)	111x52x22		
Input	220-240V 50/60Hz		
Ambient temperature	-25°C to +50°C		
Power factor (max)	0.95		
Dimming	1-10V/PUSH DIM (push dim: optional sync cable 12400100)		
Max drivers on MCB 16A type B	50		
Output	350mA / 15W 1-43V DC	500mA / 20W 1-43V DC	
DIP-switch setting			

Cake 48 IP55 LED GE	14	⚠	13	⚠
Chapeau 206 LED GE	2		1	
Duell recessed 1x LED GE	2		1	
Duell recessed 2x LED GE	1			
Ex-L low 158 LED GE	1		1	
Grib LED GE	4			
Hipy 110 IP67 LED GE	2	⚠	1	⚠
Hipy 70 IP67 LED GE	4	⚠		
Intro 89 IP44 GE	2		1	
Julien IP54 LED GE	4			
K-O 80 LED GE	2		1	
K-1 89 LED GE	2		1	
Kurk IP40 LED GE	2		1	
Kurk surface IP40 LED GE	2		1	
Lotis 48 IP55 LED GE	14	⚠	13	⚠
Lotis 82 (concrete) LED GE	2		1	
Lotis 86 IP55 LED GE	2		1	
Lotis 97 (concrete) adjustable LED GE	2		1	
Lotis square (IP55) LED GE	2		1	
Marty LED GE	14	⚠		
Mini a(r)mor LED GE	14	⚠		
Mini multiple 1x LED GE	2		1	
Mini multiple 2x LED GE	1			
Mini multiple 3x LED GE				
Mini multiple 4x LED GE				
M-LED 111 GE	1		1	
Nomad 2x LED GE	1			
Nomad 4x LED GE				
Rektor recessed LED GE	2		1	
Scotty 270 adjustable LED GE				
Scotty 270 LED GE				
Slide square clockwork LED GE	2		1	
Slide square IP44 LED GE	2		1	
Slide square LED GE	2		1	
Slide twin LED GE	1			
Smart asy lotis / cake / kup / lotis 48 (IP54) LED GE	14	⚠	13	⚠
Smart cake / kup / lotis 82 (IP54) LED GE	2		1	
Smart cake / kup / lotis 115 adjustable LED GE	2		1	
Smart cake / kup / lotis 115 (diffuse) (IP54) LED GE	1		1	
Stove LED GE	2		1	
Thub metal 120 LED GE	2		1	

⚠ driver does not fit through cutout hole of fixture

	   		
Reference	12403930		
Dimensions (LxWxH)	111x52x22		
Input	220-240V 50/60Hz		
Ambient temperature	-25°C to +50°C		
Power factor (max)	0.92		
Dimming	DALI		
Max drivers on MCB 16A type B	50		
Output	350mA / 15W 1-43V	500mA / 20W 1-40V	700mA / 20W 1-28DC
DIP-switch setting			

Cake 48 IP55 LED GE	14	⚠	
Chapeau 206 LED GE	2		
Duell recessed 1x LED GE	2		
Duell recessed 2x LED GE	1		
Ex-L low 158 LED GE	1		
Grib LED GE	4		
Hipy 110 IP67 LED GE	2	⚠	1
Hipy 70 IP67 LED GE	4	⚠	
Intro 89 IP44 GE	2		
Julien IP54 LED GE	4		
K-O 80 LED GE	2		1
K-1 89 LED GE	2		
Kurk IP40 LED GE	2		1
Kurk surface IP40 LED GE	2		1
Lotis 48 IP55 LED GE	14	⚠	
Lotis 82 (concrete) LED GE	2		
Lotis 86 IP55 LED GE	2		
Lotis 97 (concrete) adjustable LED GE	2		
Lotis square (IP55) LED GE	2		
Marty LED GE	14	⚠	
Mini a(r)mor LED GE	14	⚠	
Mini multiple 1x LED GE	2		1
Mini multiple 2x LED GE	1		
Mini multiple 3x LED GE			
Mini multiple 4x LED GE			
M-LED 111 GE	1		1
Nomad 2x LED GE	1		
Nomad 4x LED GE			
Rektor recessed LED GE	1		1
Scotty 270 adjustable LED GE			
Scotty 270 LED GE			
Slide square clockwork LED GE	2		1
Slide square IP44 LED GE	2		1
Slide square LED GE	2		1
Slide twin LED GE	1		
Smart asy lotis / cake / kup / lotis 48 (IP54) LED GE	14	⚠	13
Smart cake / kup / lotis 82 (IP54) LED GE	2		1
Smart cake / kup / lotis 115 adjustable LED GE	2		1
Smart cake / kup / lotis 115 (diffuse) (IP54) LED GE	1		1
Stove LED GE	2		1
Thub metal 120 LED GE	2		1

⚠ driver does not fit through cutout hole of fixture

MODULAR LIGHTING INSTRUMENTS — HEADQUARTERS

(for general information and sales network addresses in other countries)

Armoedestraat 71 – 8800 Roeselare – Belgium
Tel: +32 (0)51 26 56 56 – Fax: +32 (0)51 22 80 04
welcome@supermodular.com – www.supermodular.com

Australia & New Zealand

22-38 Yurong Street
Darlinghurst NSW 2010 - Australia
Tel: +61 2 9571 8800 – Fax: +61 2 9571 88 11
welcome@modularlighting.com.au
www.supermodular.com

Belgium

Armoedestraat 71 – 8800 Roeselare
Tel: +32 (0)51 26 56 56 – Fax: +32 (0) 51 22 80 04
welcome@supermodular.com
www.supermodular.com

Concept Gallery – Riemstraat 32 – 2000 Antwerpen
Tel: +32 (0)3 298.40.14
info@conceptgallery.be
www.conceptgallery.be

China

Suite 7302, Bridge 8, No. 10 Middle Jianguo Road,
Shanghai
Tel: +86 21 6466 8828 - Fax: +86 21 6466 6896
gc.modular@philips.com
www.supermodular.com

Denmark

Klubiensvej 22, Pakhus 48 – 2150 Nordhavnen
– Copenhagen
Tel: +45 3613 2100 – Fax: +45 3613 2101
welcome.denmark@supermodular.com
www.supermodular.com

France

31, Rue du Mail – 75002 Paris
Tel: +33 1 45 42 24 25 – Fax: +33 1 45 42 43 20
bonjour@supermodular.com
www.supermodular.com

Germany

Tel: +32 (0)51 26 56 56 – Fax: +32 (0) 51 22 80 04
welcome.germany@supermodular.com
www.supermodular.com

Iberia & Latin - South America

Tel: +34 617 304905 – Tel: +32 (0)51 26 56 56
welcome.iberia@supermodular.com
www.supermodular.com

India

9th Floor, DLF-9B, DLF Cyber City
DLF Phase 3, Gurgaon 122002
Tel: +91-124-4606560
papiya.bose@philips.com

Italy

Via E.T Moneta 40 – 20161 Milano
Tel: +39 02 662421 – Fax: +39 02 66203400
welcome.italy@supermodular.com
www.supermodular.com

Japan

1F, 5-9-3 Minami-azabu, Minato-ku - Tokyo 106-0047
Tel: +81-3-6826-4511 – Fax: +81-3-6826-4512
welcome@modularjp.com
www.supermodular.com

Luxembourg

5, Rue de l'église – 1458 Luxembourg/Hollerich
Tel: +352 621 438 899 - Tel: +32 (0) 51 26 56 56
welcome@supermodular.com
www.supermodular.com

Norway

Eidsvågbakken 1 - 5105 Eidsvåg (Bergen)
Tel. +47 92 21 92 20
Nedregt 7 – 00551 Oslo
Tel: +47 928 14 481
welcome.norway@supermodular.com
www.supermodular.com

Russia

Tel: +7 919 991 57 54 – Tel: +32 (0)51 26 56 56
welcome.russia@supermodular.com
www.supermodular.com

Sweden

Studio B3 – Barnhusgatan 3 – 111 23 Stockholm
Tel: +46 8 523 29 900
welcome.sweden@supermodular.com
www.supermodular.com

Switzerland

Aargauerstrasse 250 – 8048 Zürich
Tel: + 41 44 456 44 00 – Fax: +41 44 456 44 09
welcome.switzerland@supermodular.com
www.modular-lighting.ch

The Netherlands

Bouwerij 54 – 1185 XX Amstelveen
Tel: +31 (0)20 347 30 47 – Fax: +31 (0)20 347 30 48
info@modular.nl
www.modular.nl

United Kingdom

28, Leonard Street - 2C2A4BY London
Tel: +44 (0)20 7681 99 33 – Fax: +44 (0)20 7681 99 43
sales@atrium.ltd.uk
www.modular-lighting.co.uk

USA & Canada

14 Wooster Street – NY 10012 New York
Tel: +1 212 966 1399 – Fax: +1 212 966 1799
infous@luceplan.com
www.supermodular.com

Symbols legend

	ceiling application surface / suspended / recessed
	wall application surface / recessed
	floor application surface / recessed
	weight in kg
	cutout size round / square
	adjustability
	dimnable / not dimnable
	universally dimmable
	trailing edge dimmable
	leading edge dimmable
	resistive load dimmable
	fixture class 1
	fixture class 2
	fixture class 3
	wall mounting
	ceiling mounting
	floor mounting
	ceiling + wall mounting
	floor + wall mounting
IP67	protection level
GWT	glow wire test
GE	gear excluded
GI	gear included
RG	remote gear included
	standard colour
	white structure
	black structure
	RAL supplement available
	extra circuit

© 2015 Modular Lighting Instruments
all rights reserved

Contributing photography
References and product photography by BOA

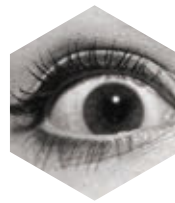
Modular reserves the right to alter material, dimensions and characteristics without prior notice.
This catalogue replaces all previous catalogues.
Read installation instructions carefully. Technical information on the installation-instruction has precedence over the information in the catalogue and the legend.
Weights indicated are fixture including packaging.
Our general terms and conditions shall apply notwithstanding any stipulation to the contrary to all the orders and agreements with Modular.
You can obtain a copy of these conditions on demand.

For information on the full Modular range,
visit www.supermodular.com

All products are CE.







www.supermodular.com