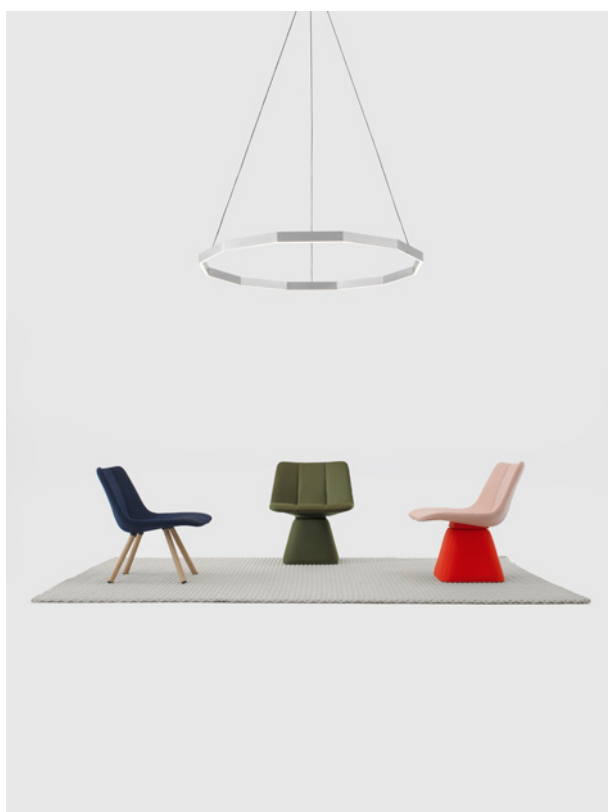


Resident



Cat

16



About Resident

Established in 2011 by Simon James and Scott Bridgens, Resident is the first editor of New Zealand Design. We are a globally focussed company committed to the Design, Manufacture and Distribution of high quality Lighting and Furniture for commercial and domestic environments.

Residents essence revolves around an authentic combination of world leading design, bold materiality and exceptional fabrication.

Resident - Progressive, Innovative, Timeless

Contact

Resident Head Office
61 Upper Queen Street
Newton Auckland
New Zealand

Resident UK
10 John Street
London WC1N 2EB
United Kingdom

Ph +64 9 601 9241
sales@resident.co.nz
www.resident.co.nz

Decorative Lighting

- 1 Midnight Pendant by Resident Studio
- 2 Hex 750 Black by Resident Studio
- 3 Hex 750 Brass by Resident Studio
- 4 Hex 500 by Resident Studio
- 5 Tri Pendant by Resident Studio
- 6 Cross Pendant by Resident Studio
- 7 V Wall Light by Resident Studio
- 8 Spar Floor Light by Jamie McLellan
- 9 Spar Jr by Jamie McLellan
- 10 Parison Pendant by Nat Cheshire
- 11 Torchon Pendant by Nat Cheshire
- 12 Fibre Light by Jamie McLellan
- 13 Mesh Space Pendant by Flynn Talbot
- 14 Mesh Ceiling and Wall Light by Flynn Talbot
- 15 Oud Lamp by Nat Cheshire
- 16 Foundry Floor Lamp by Nat Cheshire
- 17 Bing Pendant and Bing Bunch by Gidon Bing

Professional Lighting

- 18 Echo Spot by Flynn Talbot
- 19 Echo Spot Pendant by Flynn Talbot

Furniture

- 20 Odin Chair Natural by Jamie McLellan
- 21 Odin Chair Black by Jamie McLellan
- 22 Volley Swivel Chair by Jamie McLellan
- 23 Volley 4 Leg Chair by Jamie McLellan
- 24 Interstellar Dining Table by Resident Studio
- 25 Tangerine Chair by Simon James
- 26 Tangerine Stool by Simon James
- 27 Pickup Sticks by Simon James
- 28 Scholar Table and Bar Leaner by Cameron Foggo
- 29 Felix Chair by Simon James
- 30 Studio Chair by Jason Whiteley
- 31 Flyover Table by Jamie McLellan
- 32 Eccentric Mobile by Jamie McLellan

Specification Sheets



Midnight Pendant by Resident Studio

At 1.5 meters wide and with 12 sides, Midnight is the largest and most spectacular member of the Geometric family. A high quality / high output LED lightsource is recessed and diffused inside the brushed aluminium / brass body.



Hex 750 Black
by Resident Studio

Designed by Resident Studio, Hex 750 is a large and innovative hexagonal shaped pendant light constructed from aluminum. A modern alternative for home, office or retail spaces, Hex 750 contains a high quality warm LED light source, which is projected through a recessed poly prismatic diffuser. Available in Brass or Black.

Handmade in New Zealand.



Hex 750 Brass by Resident Studio

Designed by Resident Studio, Hex 750 is a large and innovative hexagonal shaped pendant light constructed from aluminum. A modern alternative for home, office or retail spaces. Hex 750 contains a high quality warm LED light source, which is projected through a recessed poly prismatic diffuser. Available in Brass or Black.

Handmade in New Zealand





**Hex 500 Pendant
by Resident Studio**

A hexagonal shaped Pendant light constructed from Aluminium channel. A modern alternative for both home, office or retail spaces. Hex contains a warm white LED lightsource and a recessed poly prismatic diffuser. Available in both white and black powercoat finish.

Handmade in New Zealand.

Tri Pendant by Resident Studio

Tri is a triangular shaped pendant light constructed from brass channel or powdercoated aluminium. Three intersecting lines culminate at a point, to display this classic geometric shape. A recessed and diffused LED light source reflects of the inside of the channel to deliver a warm consistent hue. Available in Brass or Black

Handmade in New Zealand.

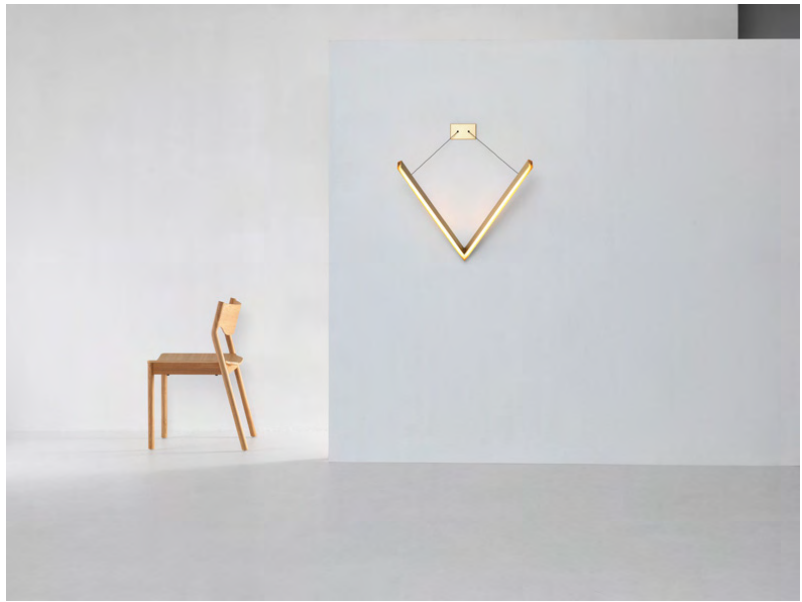




Cross Pendant
by Resident Studio

An overarching pendant light in the shape of a cross. A modern alternative for home, office or retail spaces. Two opposing aluminum channels intersect to propel warm LED light through a recessed poly prismatic diffuser. Available in black or white

Handmade in New Zealand.



V Wall Light by Resident Studio

V is a cantilevered feature Wall Light made of brass. Its two outreaching arms trace an equilateral triangle in space. Part of the Geometric family, the V Wall light contains a warm LED light source which projects both down to the ground and up against the wall. The light is held in suspension by two wires which are adjustable, allowing the frame to hang from the wall in a variety of ways.

Handmade in New Zealand.





**Spar Floor Light
by Jamie McLellan**

This large cantilevered floor light takes its inspiration from the mast arrangements of classic sailing boats. The simple, two dimensional silhouette relies on a tensioned electrical cable for support. Constructed in spun aluminum and steel, the Spar Floor Light breaks down for easy shipping.





Spar Junior
by Jamie McLellan

Spar Junior takes the same iconic geometry of the Spar Floor light and scales it into a cantilevered table light. The spun aluminium shade pivots on two axis, allowing light to be directed as desired. Available in both white with black cable, and black with red cable.



Parison Pendant by Nat Cheshire

The Parison is a glass pendant, mouth blown from a mixture of black and clear glass. It's surface is a fluid gradient from opaque to transparent. Housed in the neck of the pendant, a high quality LED lamp creates a soft warm glowing fixture. Ideal for home or contract use.

Handmade in New Zealand.



Torchon Pendant
by Cheshire Architects

Torchon is a Pendant Light that exploits the viscous potential of molten glass. In our Auckland workshops a soft spherical vessel of glass is carefully mouth-formed. The piece is finished with a wafer-thin bespoke LED lamp, suspended from a pair of super-fine wires. Handmade in New Zealand.



**Fibre Light
by Jamie McLellan**

The Fibre Light Bottle is a large lightweight feature pendant, constructed entirely from carbon fibre. The radiating carbon strips of near zero thickness peel away from each other, creating depth and volume in what is a very lightweight piece. A central, stamen like acrylic diffuser distributes the light evenly from within.

Handmade in New Zealand.



Mesh Space Pendant by Flynn Talbot

The Mesh Space Pendant is constructed around a seamless floating halo of LED light. It hangs horizontally with a very thin profile and creates a warm, functional light effect on surfaces below. A flattened mesh dome is a reflector and a filter to the upward moving light. The ring of LED light is powered through the thin suspension wires, gifting the piece lightness and transparency.



Mesh Space Ceiling and Wall Light by Flynn Talbot

Like the Mesh Space Pendant, the matching ceiling and wall light is constructed around a seamless ring of LED light. Here it floats horizontally to create a warm and functional light loop. The flattened mesh dome reflects light into the space and then filters the light onto the wall. The LED driver is contained within the base for easy installation on new and retro-fit interior projects

**Oud Lamp by Nat Cheshire
by Jamie McLellan**



Oud is a desk lamp. Its single armature follows a continuous and unbalanced line, concealing all the mechanisms of a warm LED lightsource. A sphere of polished marble rests on the lower leg; its diameter fitted to the palm, a quarter turn operates the internal switch.

Handmade in New Zealand.





Foundry Floor Light by Nat Cheshire

The Foundry Floor Lamp stands 1.9m high. It's seamless 20mm aluminium body traces a rectangular volume in space. A high quality LED light source projects warm light onto the surface below. At the base, hand-cast bronze provides a counterweight to the cantilevered height of the lamp.

Handmade in New Zealand.



Bing Pendant and Bunch by Gidon Bing

This small cracked ceramic pendant measures 140mm wide x 110mm tall. It is made to be shown in numbers either in a line or a cluster. Bing Pendants are handcrafted and refined with traditional sculpting techniques, using pure white china clay from Matauri Bay, New Zealand. The Bing Pendant is finely finished with a bone colored fine crackle glaze and charcoal oxides.

Handmade in New Zealand.





Echo Spot by Flynn Talbot

Echo is a true fusion of decorative and technical lighting, with snap on lenses which can be customised on-site to change colour temperature, glare and beam angle. The result is a family of high output directional lights, with perfect light distribution. Available in Track, Surface Mounted and Pendant varieties.





**Echo Spot Pendant
by Flynn Talbot**

Echo is a true fusion of decorative and technical lighting, with snap on lenses which can be customised on-site to change colour temperature, glare and beam angle. The result is a family of high output directional lights, with perfect light distribution. Available in Track, Surface Mounted and Pendant varieties.



Odin Chair - Black **by Jamie McLellan**

Odin Chair started life as a commission for a series of boutique alpine properties in Niseko Japan. Simultaneously humble and striking, the Odin Chair was designed to feel like an appropriate mix of both Nordic and Japanese cultures. There is a structural harmony in how the four die cast aluminium legs cradle a seat base and curved back rest in laminated solid ash..



Odin Chair - Natural
by Jamie McLellan

Odin Chair started life as a commission for a series of boutique alpine properties in Niseko Japan. Simultaneously humble and striking, the Odin Chair was designed to feel like an appropriate mix of both Nordic and Japanese cultures. There is a structural harmony in how the four die cast aluminium legs cradle a seat base and curved back rest in laminated solid ash..





**Volley Swivel Chair
by Jamie McLellan**

A playful lounge chair made from flat components pressed together into a comfortable three dimensional form. A robust swivel pedestal base allows for 360 degrees of rotation. A smart choice for both domestic and residential settings.



Volley Chair 4 Leg by Jamie McLellan

A playful lounge chair made from flat components pressed together into a comfortable three dimensional form. The upholstered seating area is supported by a steel frame and solid oak legs. A smart choice for both domestic and residential settings.



Interstellar Table by Resident Studio

Made in New Zealand from carbon fibre, Interstellar is a dynamic statement piece that appears to float due to its ultra-thin profile. Anchored by black powdercoated or brushed stainless steel legs, this piece is the epitome of luxury.





Tangerine Chair by Simon James

This clean lined stackable wooden chair is ideal for home, hospitality and commercial environments. Available in natural oak and black stain, it's light weight look and subtle form offer a refined look to complement most tables. This structurally strong chair is ideal for hard contract use.

Tangerine Stool by Simon James

Made from solid oak, the Tangerine Stool is an extension of the popular Tangerine family. It's lightweight and streamlined appearance is tempered by the robustness of steel crossbars, making the product ideal for contract use. Carrying on the iconic seat and back detail this stool is available with and without a back.





Pick Up Sticks Chair by Simon James

Pick Up Sticks was born out of the need for a comfortable armchair whose upholstered component is produced separately and at a short lead-time. Ideal for commercial or residential use, Pick Up Sticks celebrates a solid oak frame, which exhibits refined profile details throughout.





Scholar Table & Bar Leaner by Cameron Foggo

Constructed from a solid oak base and veneer top and described as having a timeless and paired-back quality, this table is ideal for both the home and office. Although masculine in appearance, it's soft edges evoke subtle luxury with its frame flat-packing for ease of shipment.



Felix Chair
by Simon James

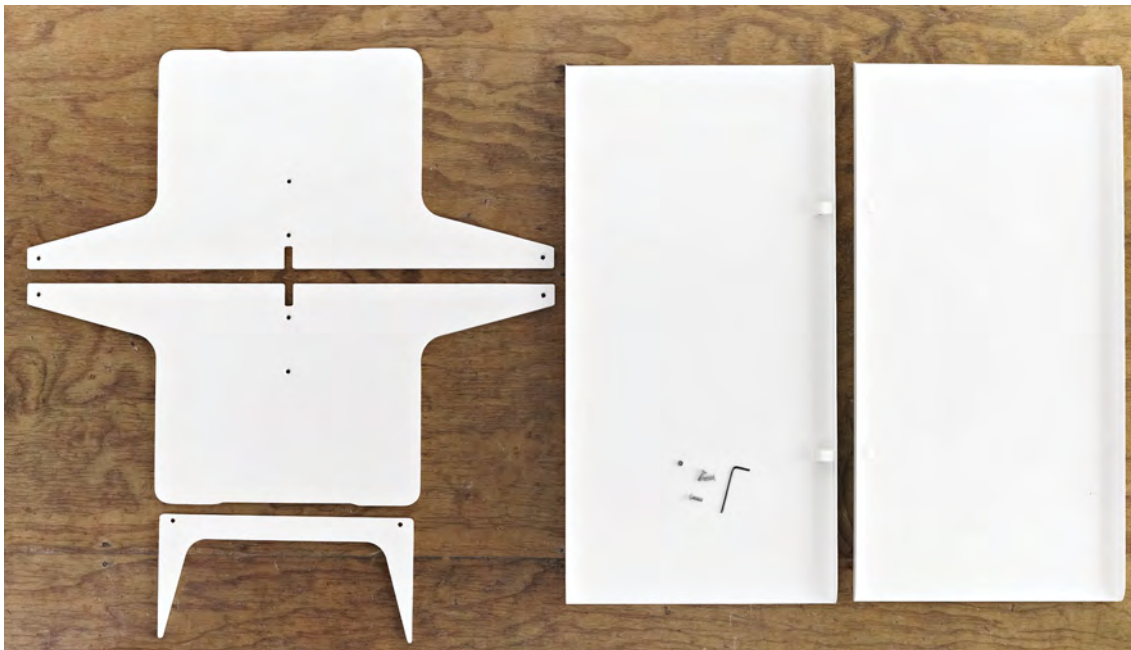
The Felix Chair was born out of the need for a genuinely comfortable armchair. Soft upholstered lines contrast the industrial nature of a well engineered base. This chair can stand alone or sit around a dining or boardroom table



Studio Chair
by Jason Whiteley

The Studio Chair is a simple, geometrically precise chair that has a small footprint and subtle curves that create a comfortable situation for sitting. Formally the chair refers to a typology of common, robust wood chairs originating in Switzerland. Constructed from oak, and available as natural or black stained, this structurally strong chair is ideal for hard contract use.





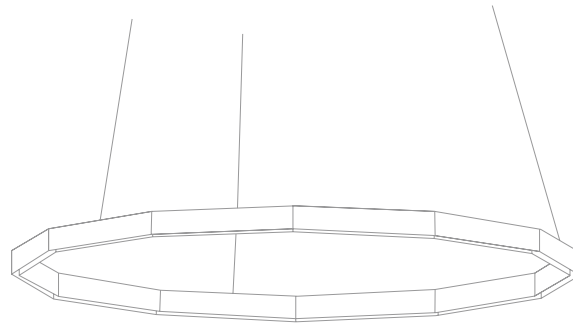
Flyover Table
by Jamie McLellan

The Flyover family's longitudinal design and parallel lines are reminiscent of the underside of bridges, underpasses and motorway flyovers. Two pieces of thin sheet metal are folded into upside down U channels to create the table top, which sits upon pedestal fin legs. Elegantly machined angle brackets hold the structure together. Handmade in New Zealand.



Eccentric Mobile by Jamie McLellan

Crafted from Birch, Eccentric Mobile is a precision engineered hanging object whose parts gently rotate about multiple axis, providing an ever-changing piece of aerial sculpture. Each part spins on embedded micro bearings. The mobile is perfectly balanced despite its visual asymmetries.

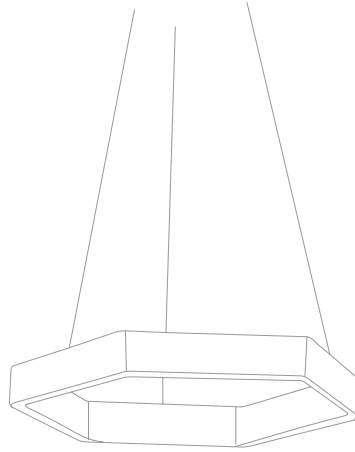


Midnight Pendant

At 1.5 meters wide and with 12 sides, Midnight is the largest and most spectacular member of the Geometric family. A high quality/ high output LED lightsource is recessed and diffused inside the brushed aluminium/ brass body.

Designer	Resident Studio
Year	2016
Description	Pendant Light
Materials	Aluminum
Product Code	MID001A- Midnight Pendant Aluminum MID001B- Midnight Pendant Brass
Colour Options	Brushed Aluminum, Brushed Brass Cable colour- Black Canopy colour- Black
Packing	L1700mm x W1700mm H100mm/ L67"x W67"x H4" CMB- 0.289/ Cubic Ft- 10
Packing Weight	8kg/ 18Lbs
Product Dimensions	L1500mm x W1500mm x H60mm/ L59"x W59"x H2.3"
Bulb Spec	Colour Temp- 2700K CRI- 80 Lumens- 5775 Wattage- 110W Average life- 50,000 hours Voltage- 24V
Dimming	DIM001- Ltech panel (purchased separately, £50 wholesale) DIM002- Ltech mini LED controller (purchased separately, £50 wholesale)
Certification	CE
Warranty	3 years



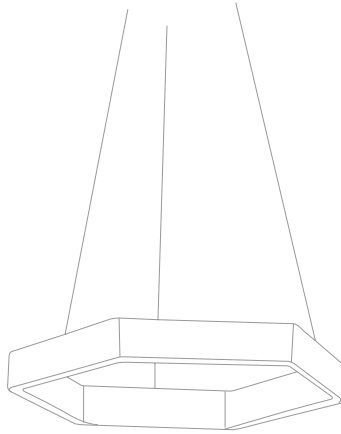


Hex 750

Hex 750 Brass is created from brass electroplated aluminum with a hand brushed finish. A clear matt lacquer then protects this immaculate finish. The light contains the highest quality/ highest output 24v LED strip available, which is recessed and diffused to produce a strong, consistent hue.

Designer	Resident Studio
Year	2014, 2016
Description	Pendant Light
Materials	Aluminium
Product Code	HEX002BR- Hex 750 Brass HEX002B- Hex 750 Black
Colour Options	Brass or Black Cord colour- Black Canopy colour- Black
Packing	L860mm x W980mm x H100mm/ L33"x W33"x H4" CBM- 0.842/ Cubic Ft- 2.52
Packing Weight	6.2kg/ 14Lbs
Dimensions	Product dimensions- L790mm x W675mm x H60mm/ L31"x W26.5"x H2.4" Canopy dimensions- W280mm x D54mm/ W11"x D54" Cord length- 2000m/ 6.5ft, Min hanging height- 300mm/ 1ft
Bulb Spec	LED strip colour temperature- 2700K 24 Volts DC- 100W transformer included CRI- 80 Power usage- 58W Lumens- 1680L
Dimming	DIM001- Ltech panel (purchased separately, £50 wholesale) DIM002- Ltech mini LED controller (purchased separately, £50 wholesale)
Certifications	UL, CUL, CE
Warranty	3 years



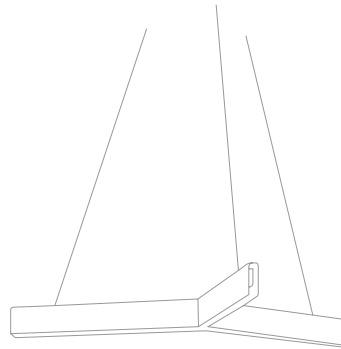


Hex 500

A hexagonal shaped pendant light constructed from aluminum channel. The Hex Pendant is a modern alternative for both home, office or retail spaces. Hex contains a warm white LED light source and a recessed poly prismatic diffuser.

Designer	Resident Studio
Year	2013
Description	Pendant Light
Materials	Aluminium
Product Code	HEX001W- Hex 500 White HEX001B- Hex 500 Black
Colour Options	Powdercoated matt White Powdercoated matt Black Cable colour- Black Canopy colour- same as shade
Packing	L640mm x W580mm x H110mm/ L25"x W23"x H4" CBM- 0.04/ Cubic Ft- 1.33
Packing Weight	4.3kg/ 9Lbs
Dimensions	Product dimensions- L470mm x W550mm x H60mm/ L18.5"x W21.6"x H2.4" Canopy dimensions- DIA205mm/ DIA8" Cable length- 2000mm/ 6.5ft. Min hanging height- 300mm/ 1Ft
Bulb Spec	LED strip colour temperature: 2700K 24 Volts DC- 60W transformer included CRI- 80 Power usage- 30W Lumens- 1680L
Dimming	DIM001- Ltech panel (purchased separately, £50 wholesale) DIM002- Ltech mini LED controller (purchased separately, £50 wholesale)
Certifications	UL, CUL, CE
Warranty	3 years



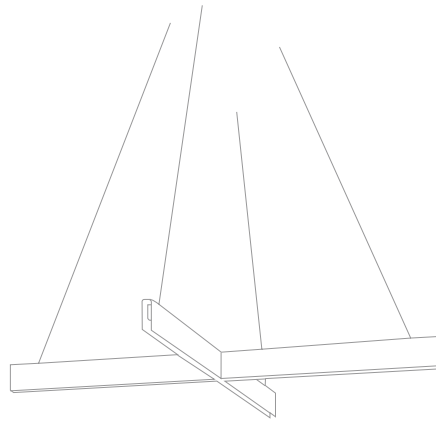


Tri Pendant

Tri is a triangular shaped pendant light constructed from brass. Three intersecting lines culminate at a centre point, to display this classic geometric shape. A recessed and diffused LED light source reflects off the inside of the channel to deliver a warm hue.

Designer	Resident Studio
Year	2014, 2016
Description	Pendant Light
Materials	Aluminium, Brass
Product Code	TRI001BR- Tri Pendant Brass TRI001B- Tri Pendant Black
Colour Options	Brushed Brass, Black Cord colour- Black Canopy colour- Black
Packing	L860mm x W980mm x H100mm/ L33"x W33"x H4" CBM- 0.842/ Cubic Ft- 2.52
Packing Weight	6.2kg/ 14Lbs
Dimensions	Product Dimensions- L780mm x W690mm x H60mm Canopy dimension- DIA500mm x H200mm/ DIA7.9"x H2" Cable length- 2000mm/ 6.5Ft
Bulb spec	LED strip 2700K 24 volts DC 60W transformer included CRI- 80 Power usage- 30W Lumens- 1400
Dimming	DIM001- Ltech panel (purchased separately, £50 wholesale) DIM002- Ltech mini LED controller (purchased separately, £50 wholesale)
Certifications	UL, CUL, CE
Warranty	3 years
Awards	Urbis Best Lighting 2013



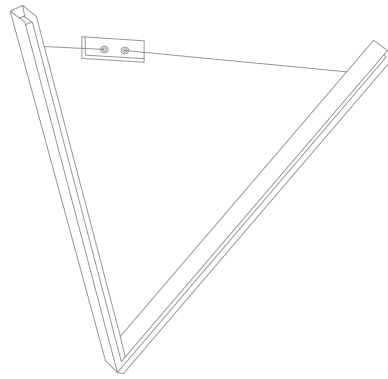


Cross Pendant

An overarching pendant light in the shape of a cross. The Cross Pendant is a modern alternative for home, office or retail spaces. Two opposing aluminum channels intersect to propel warm LED light through a recessed poly prismatic diffuser.

Designer	Resident Studio
Year	2013
Description	Pendant Light
Materials	Aluminium
Product Code	CRO001W- Cross Pendant White CRO001B- Cross Pendant Black
Colour Options	Powdercoated matt White Powdercoated matt Black Cable colour- Black Canopy colour- same as shade
Packing	L860mm x W980mm x H100mm/ L33"x W33"x H4" CBM- 0.842/ Cubic Ft- 2.52
Packing Weight	5.7kg/ 13Lbs
Dimensions	Product dimensions- L1000mm x W1000mm x H60mm/ L39.3"x W39.3"x H2.4" Canopy dimensions- DIA200mm x H50mm/ DIA7.9"x H2" Cable length- 2000mm/ 6.5ft. Min hanging height- 300mm/ 1ft
Bulb Spec	LED strip 2700K 24 volts DC- 60W transformer included CRI- 80 Power usage- 45W 2520 lumens
Dimming	DIM001- Ltech panel (purchased separately, £50 wholesale) DIM002- Ltech mini LED controller (purchased separately, £50 wholesale)
Certifications	UL, CUL, CE
Warranty	3 years



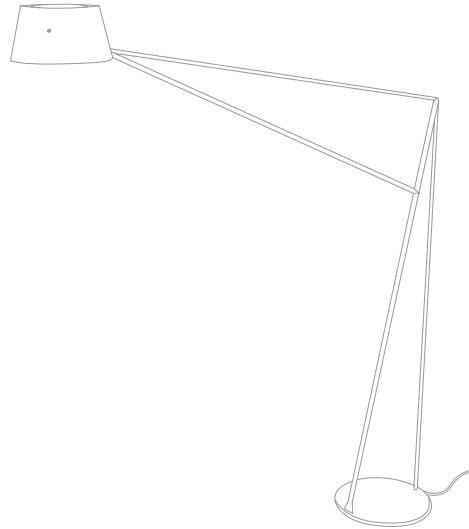


V Wall Light

V is a cantilevered feature wall light made of brass. It's two outreaching arms trace an equilateral triangle in space. Part of the Geometric family, the V Wall light contains a warm LED light source which projects both down at the ground and up against the wall. The light can be suspended from the wall in a variety of ways.

Designer	Resident Studio
Year	2015
Description	Wall Light
Materials	Brass
Product Code	VWL001
Colour Options	Brass
Packing	L860mm x W980mm x H100mm/ L33.8"x W38.5"x D4" CBM- 0.084/ Cubic Ft- 3
Packing Weight	5.9kg/ 13Lbs
Dimensions	L500mm x W500mm x H60mm/ L19.6"x W19.6"x H2.4"
Bulb Spec	Colour Temp- 2700K CRI- 80 Lumens- 3675 Wattage- 31W Average life- 50.000 hours Voltage- 24V
Dimming	DIM001- Ltech panel (purchased separately, £50 wholesale) DIM002- Ltech mini LED controller (purchased separately, £50 wholesale)
Certification	CE
Warranty	3 years



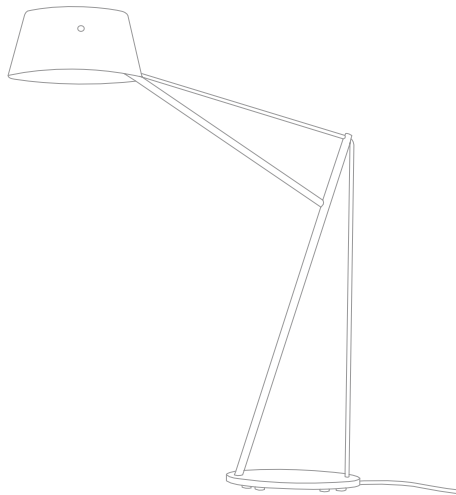


Spar Floor Light

This large cantilevered floor light takes its inspiration from the mast arrangements of classic sailing boats. The simple, two dimensional silhouette relies on a tensioned electrical cable for support. Constructed in spun aluminum and steel, the Spar Floor Light breaks down for easy shipping.

Designer	Jamie McLellan
Year	2011
Discription	Floor Light
Materials	Steel, Aluminium
Product Code	SPF01B- Spar Light Black with Red Cable (Arms) SPB01B- Spar Light Black with Red Cable (Base) SPF01BL- Spar Light Black with Black Cable (Arms) SPB01BL- Spar Light Black with Black Cable (Base)
Colour Options	Black with Red cable Black with Black cable
Packaging	SPF01- L1500mm x W105mm x H45mm/ L59"x W4.1"x H1.7" CBM- 0.007/ Cubic Ft- 0.237 SPB01- L440mm x W440mm x H230mm/ L17"x W17"x H9" CBM- 0.44/ Cubic Ft- 1.5
Packing Weight	SPF01- 3.1kg/ 7Lbs SPB01- 10.6kg/ 23Lbs
Product Dimensions	L1850mm x W1550mm x H360mm/ L73"x W45"x H14"
Bulb Spec	E27 Bulb - 7W Energy Saver. USA- E26
Certification	CE
Warranty	3 years



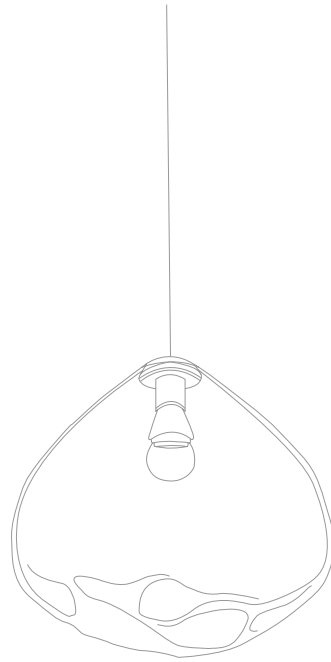


Spar Junior

Spar Junior takes the same iconic geometry of the Spar Floor Light and scales it into a cantilevered table light. The spun aluminum shade pivots on two axis, allowing light to be directed as desired. Available in black with red cable.

Designer	Jamie McLellan
Year	2012
Description	Table Light
Materials	Steel, Aluminium
Product Code	SPJ02B
Colour Options	Black with Red cable
Packing	L740mm x W530mm x H260mm/ L29"x W20"x H10" CBM- 0.101/ Cubic Ft- 3.35
Packing Weight	7kg/ 15Lbs
Product Dimensions	L950mm x W35mm x H620mm/ L37.4"x W1.3"x H24
Bulb Spec	E27 Bulb- 7W energy saver. USA- E26
Certification	CE
Warranty	3 years



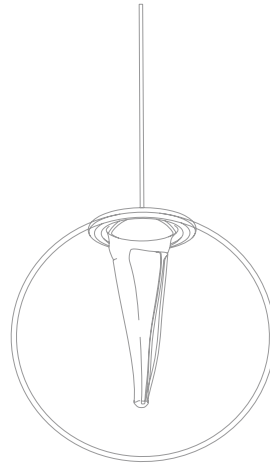


Parison Pendant

Parison is a glass pendant, mouth blown from a mixture of black and clear glass. It's surface is a fluid gradient from opaque to transparent. Housed in the neck of the pendant, a high quality lamp creates a warm glowing fixture.

Designer	Cheshire Architects
Year	2014
Description	Pendant Light
Materials	Glass
Product Code	PAR001
Colour Options	Glass Black to clear fade
Packing	L510mm x W510mm x H510mm/ L20"x W20"x H20" CBM- 0.132/ Cubic Ft- 4.6
Packing Weight	3.5kg/ 8Lbs
Dimensions	Product dimensions- DIA360mm x H360mm Cable Length- 3m/ 39Ft
Bulb Spec	LED 6.2W E27 2800k- bulb included except in USA. 470 lumen Bulbholder- E27 except in USA (E26) Dimming system- Clipsal line dimming system recommended
Certifications	UL, CE
Warranty	3 years



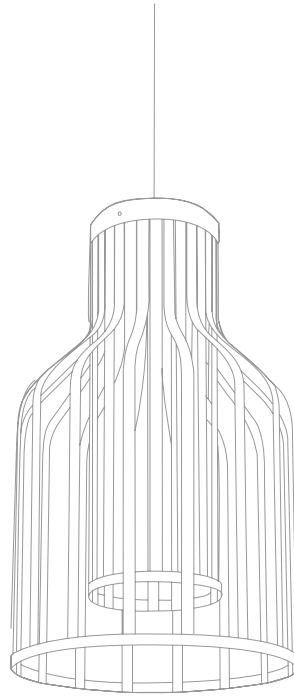


Torchon Pendant

Torchon is a pendant light that exploits the viscous potential of molten glass. In our Auckland workshop a soft spherical vessel of glass is carefully mouth-formed. The piece is finished with a wafer-thin bespoke LED lamp, suspended from a pair of super-fine wires.

Designer	Cheshire Architects
Year	2015
Description	Pendant Light
Materials	Glass
Product Code	TOR001
Colour Options	Clear Cord colour- Black Canopy colour- Black
Packing	L420mm x W420mm x H420mm/ H16.5" x W16.5" x D16.5" CBM- 0.074/ Cubic Ft- 2.59
Packing Weight	4.6kg/ 4Lbs
Dimensions	Product dimensions- H250mm x W250mm x D250mm/ L12" x W12" x H12" Canopy dimensions- 100mm/ 4" Cable Length- 200mm/ 6.5Ft
Bulb Spec	Colour Temp- 2700K CRI- 91 Lumens- 133 Wattage- 2.64W Average life- 50,000 hours Voltage- 24V Dimming system- 1 - 10v line dimming
Certification	CE
Warranty	3 years



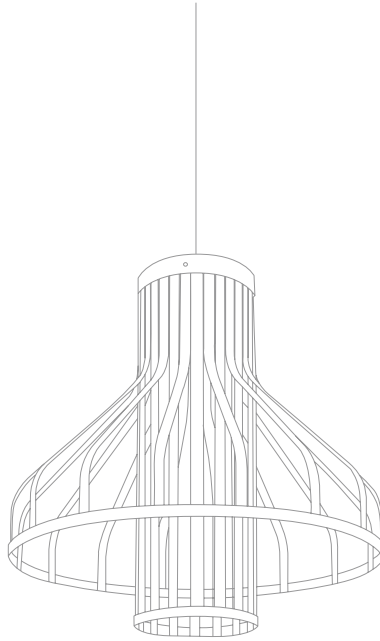


Fibre Light - Bottle

Fibre Light Bottle is a large lightweight feature pendant, constructed entirely from carbon fibre. The radiating carbon strips of near zero thickness peel away from each other, creating depth and volume in what is a very lightweight piece. A central, stamen like acrylic diffuser distributes the light evenly from within.

Designer	Jamie McLellan
Year	2014
Description	Pendant Light
Materials	Carbon Fibre
Product Code	FIB002
Colour Options	Black
Packing	L410mm x W420mm x H740mm/ L16" x W9.6" x H9.6" CBM- 0.127/ Cubic Ft- 9.5
Packing Weight	2kg/ 4Lbs
Product Dimensions	H570mm x DIA318mm/ 22" x DIA12.5"
Bulb Spec	LED 8W bulb included except in USA Bulb holder- E27
Certifications	CE
Warranty	3 years



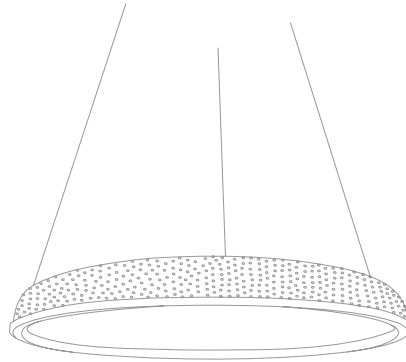


Fibre Light - Funnel

Fibre Light, Funnel is a large lightweight feature pendant, constructed entirely from carbon fibre. The radiating carbon strips of near zero thickness peel away from each other, creating depth and volume in what is a very lightweight piece. A central, stamen like acrylic diffuser distributes the light evenly from within.

Designer	Jamie McLellan
Year	2014
Description	Pendant Light
Materials	Carbon Fibre
Product Code	FIB001
Colour Options	Black
Packing	L600mm x W600mm x H620mm/ L23.6"x W23.6"x H24.4" CBM- 0.223/ Cubic Ft- 7.86
Packing Weight	2kg
Product Dimensions	W574mm x D574mm x H570mm/ W22.5"x L22.5"x H22"
Bulb Spec	LED 8W bulb included except in USA Bulb holder- E27
Certifications	CE
Warranty	3 years



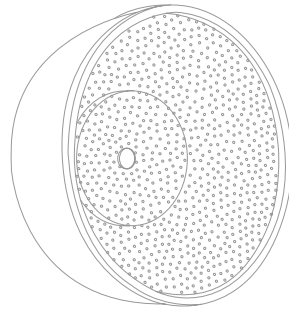


Mesh Space Pendant

The Mesh Space Pendant is constructed around a seamless floating halo of LED light. It hangs horizontally with a very thin profile and creates a warm, functional light effect on surfaces below. A flattened mesh dome is a reflector and a filter to the upward moving light. The LED light ring is powered through the thin suspension wires to achieve a real lightness and transparency to this piece.

Designer	Flynn Talbot
Year	2015
Description	Pendant Light
Materials	Aluminium
Product Code	MSP001
Colour Options	Brass anodised Cord colour: Black Canopy colour: Black
Packing	L700mm x W700mm x H300mm/ L27"x W27"x H11.8" CBM- 0.147/ Cubic Ft- 4.97
Packing Weight	7.7kg/ 17Lbs
Dimensions	Product dimensions- L600mm x W600mm x H120mm/ L23.6"x W23.6"x H4.7" Cord Length- Max 3000mm. Min 750mm/ Max 118". Min 29.5" Canopy Dimensions- DIA200mm x H50mm/ DIA7.8"x H1.9"
Bulb Spec	CRI- 90 Lumens- 2470 Power usage- 35.4 watts Average life- 50,000 hours Voltage- 24V LED colour temp 2700k. 24 Volts Dimming system- 1 - 10v line dimming
Certification	CE
Warranty	3 years



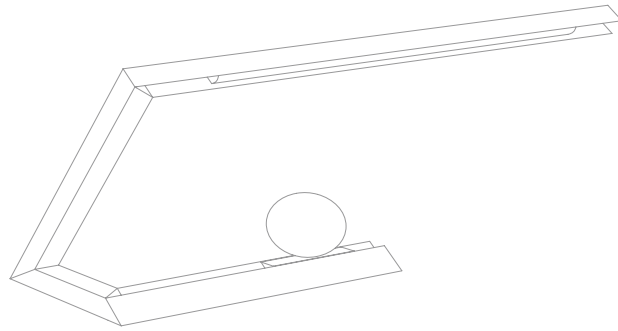


Mesh Space Wall/ Ceiling Light

Like the Mesh Space Pendant, the matching wall light is constructed around a seamless ring of LED light. Here it floats vertically to create a warm and functional light loop. The flattened mesh dome reflects light into the space and then filters the light onto the wall. The LED driver is contained within the base for easy installation and new retro-fit interior projects. It can be used on walls or directly onto the ceiling.

Designer	Flynn Talbot
Year	2015
Description	Wall/ Ceiling Light
Materials	Aluminium
Product Code	MSW001
Colour Options	Brass anodised
Packing	L310mm x W310mm x H200mm/ L12.2"x W12.2"x H8" CBM- 0.192/ Cubic Ft- 0.689
Packing Weight	2kg/ 4Lbs
Product Dimensions	L250mm x W250mm x H120mm/ L10"x W10"x H5"
Bulb Spec	LED colour temp- 2700k. Voltage- 24V Wattage- 14 Watts Lumens- 1020 CRI- 80 Average life- 50,0000 hours Colour Temperature- 2700K Dimming system- 1 - 10v line dimming
Certification	CE
Warranty	3 years



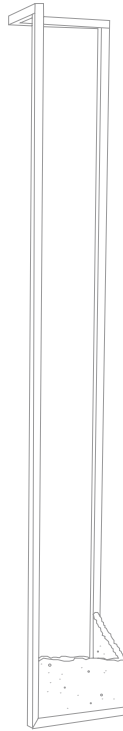


Oud Table Light

Oud is a desk lamp. It's single, polished armature follows a continuous and unbalanced line, concealing all the mechanisms of a warm LED lamp. A sphere of polished marble rests on the lower leg: it's diameter is fitted to the palm, a quarter-turn operates the internal switch.

Designer	Cheshire Architects
Year	2012
Discription	Desk lamp
Materials	Brass and Rossa Levanto Marble, or Black Steel and Honey Onyx Marble
Product Code	OULD001BR- Oud Table Light Brass OULD001B- Oud Table Light Black
Colour Options	Brass or Black
Packing	H600mm x W450mm x D250mm/ H24"x W18"x D10" CBM- 0.067/ Cubic Ft- 2.5
Packing Weight	5kgs/ 11Lbs
Product Dimensions	L540mm x W300mm x H320mm/ L21"x W12"x H12.5"
Bulb Spec	LED 24V DC Warm white 2800K
Certifications	CE
Warranty	3 years



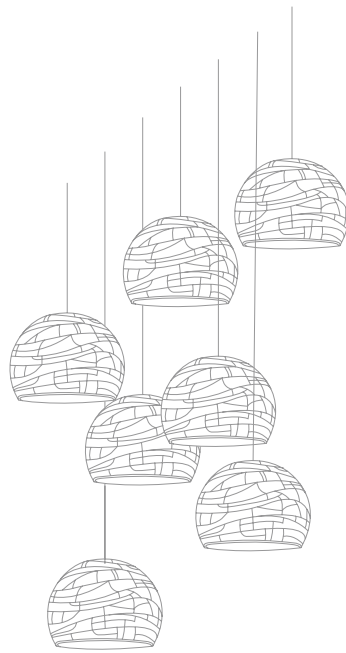


Foundry Floor Light

The Foundry Floor Lamp stands 1.9m high, it's seamless aluminum body traces a rectangular volume in space. A high quality LED light source projects warm light onto the surface below. At the base, hand-cast bronze provides a counterweight to the cantilevered height of the lamp.

Designer	Cheshire Architects
Year	2014
Description	Floor Light
Materials	Cast bronze. Aluminium
Product Code	FOU001- Foundry Floor Light Frame FOU002- Foundry Floor Light Base (Bronze)
Colour Options	Black powdercoat
Packing	FOU001- L1980mm x W380mm x H260mm/ L78"x W15"x H10" CBM- 0.195/ Cubic Ft- 6.7 FOU002- L260mm x W260mm x H350mm/ W10"x H14" CBM- 0.236/ Cubic Ft- 0.8
Packing Weight	FOU001- 8kg/ 4Lbs FOU002- 7.3kg/ 16Lbs
Product Dimensions	L280mm x W180mm x H1900mm/ L11"x W7"x H75"
Bulb Spec	LED Strip colour temperature 2800K 24V
Warranty	3 years



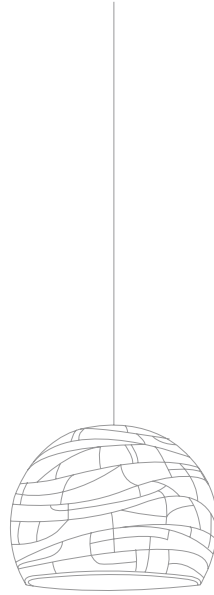


Bing Bunch

Bing Bunch is an arrangement of Bing Pendants held together in a cluster with a hexagonal ceiling bracket. The cracked ceramic shades play off each other at different heights creating a strong group silhouette. The hex bracket placed back to back provides elegant structure as well as consistent spacing across the ceiling. Bing Pendants are handcrafted using pure white China clay from Matauri Bay, NZ. The Bing Pendant is finished with a bone coloured fine crackle glaze and charcoal oxides. Handmade in New Zealand.

Designer	Gidon Bing
Year	2012
Description	Seven Pendant Lights in a cluster
Materials	Ceramic
Product Code	BNG002
Colour Options	White
Packing	L610mm x W620mm x H420mm/ L24"x W24.4"x H17" CBM- 0.158/ Cubic Ft 5.76
Packing Weight	9.8kg/ 2Lb
Dimensions	Hexagonal ceiling bracket- 500mm x 500mm/ 20"x 20" Pendants- DIA135mm x H100mm/ DIA5.3"x H4"
Certifications	CE
Warranty	3 years



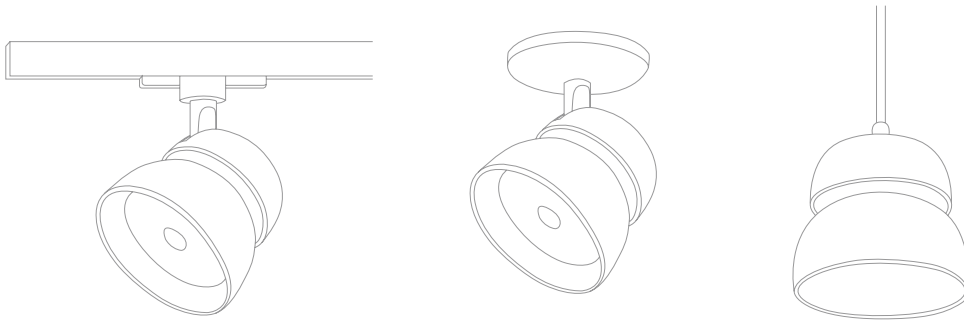


Bing Pendant

This small cracked ceramic pendant is designed to be shown in numbers in either a line or a cluster. Bing Pendants are handcrafted and refined using traditional sculpting techniques. The Bing Pendant is finished with a bone coloured fine crackle glaze and charcoal oxides. Handmade in New Zealand.

Designer	Gidon Bing
Year	2012
Description	Pendant Light
Materials	Ceramic
Product Code	BNG001
Colour Options	White
Packing	H160mm x W160mm x D120mm/ L6"x W6"x H5" CBM- 0.003/ Cubic Ft- 0.22
Packing Weight	1kg/ 2.2Lbs
Product Dimensions	DIA135mm x H100mm/ 5.3"x H4"
Certifications	CE
Warranty	3 years



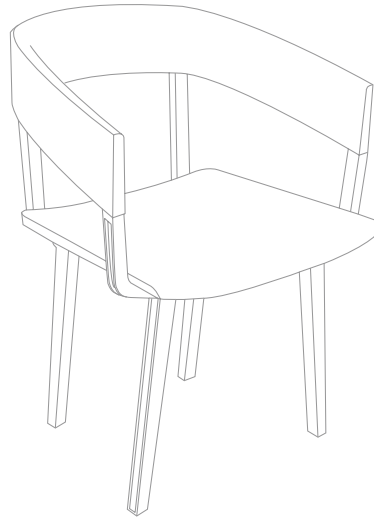


Echo Pendant Light

Echo is a true fusion of decorative and technical lighting, with snap on lenses which can be customised on-site to change colour temperature, glare and beam angle. The result is a family of high output directional lights, with perfect light distribution. Available in Track, Surface Mounted and Pendant varieties.

Designer	Flynn Talbot
Year	2016
Description	Track Mount
Materials	Aluminium
Product Codes	ECH001WEU Echo Spot Track White ECH001WUS Echo Spot Track White ECH002WEU Echo Spot Surface Mount White ECH002WUS Echo Spot Surface Mount White ECH004WEU Echo Spot Pendant ECH004WUS Echo Spot Pendant
Colour Options	White
Packing	L150mm x W150mm x H150mm CBM- 0.003
Product Dimensions	L120mm x W120mm x H120mm
Bulb Spec	Colour Temp- 3000K, 2700K, 2400K, 2000K CRI- 95 Lumens- 1000 Average life- 10 years Voltage- 24V Dimming- 0-10V
Certifications	CE
Warranty	3 years



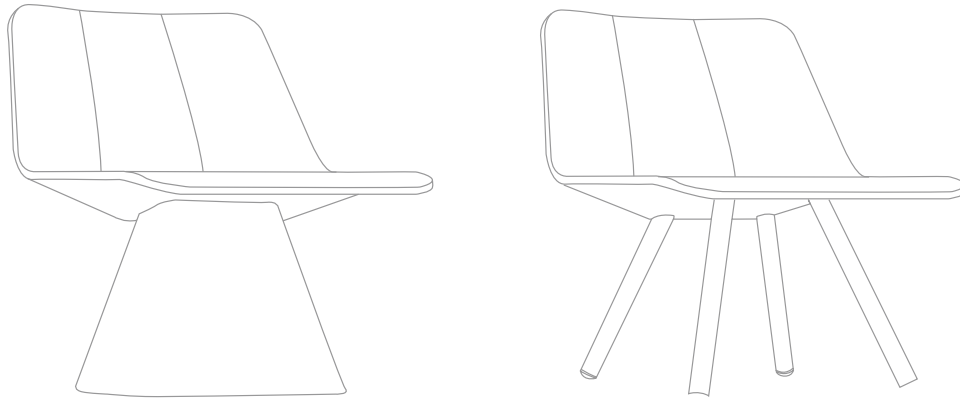


Odin Chair

Odin Chair started life as a commission for a series of boutique alpine properties in Niseko Japan. Simultaneously humble and striking, the Odin Chair was designed to feel like an appropriate mix of both Nordic and Japanese cultures. There is a structural harmony in how the four die cast aluminium legs cradle a seat base and curved back rest in laminated solid ash.

Designer	Jamie McLellan
Designed	2016
Description	Armchair
Materials	Cast Aluminium legs, solid ash Seat and Back, Upholstered seat- Kvadrat Maharam Messenger, 458640
Product Code	ODN001B- Odin Chair Black ODN002BU- Odin Chair Black Upholstered ODN001N- Odin Chair Natural ODN001NU- Odin Chair Natural Upholstered
Packing	L648mm x W700mm x H788mm/ D25.5"x W27.5"x H31" CBM- 0.349/ Cubic Ft- 12.5
Packing Weight	6kg/ / 13Lbs
Dimensions	Product Dimensions- D535mm x W597mm x 750mm/ D21"x W23.5"x H29.5" Floor to seat height- 445mm/ 17.7"
Warranty	3 years





Volley Chair

A playful lounge chair made from flat components seamed together into a comfortable three dimensional form. Available in a variety of upholstery finishes and with either timber legs or with an upholstered swivelling pedestal base. A simple choice for both domestic and residential settings.

Designer	Jamie McLellan
Designed	2016
Description	Lounge Chair
Materials	Ply. Oak with Steel reinforcing
Product Code	VOL001- Volley Chair with four legs VOL002- Volley Chair with Swivel Base
Colour Options	Natural oak legs Upholstery- Camera Intertwine or Blazer
Packing	L940mm x W940mm x H940mm/ L37"x W37"x H37" CBM- 0.83/ Cubic Ft- 29.3
Packing Weight	5kgs/ 11Lbs
Product Dimensions	D710mm x W685 x H710/ D28"x W27"x H28"
Warranty	3 years



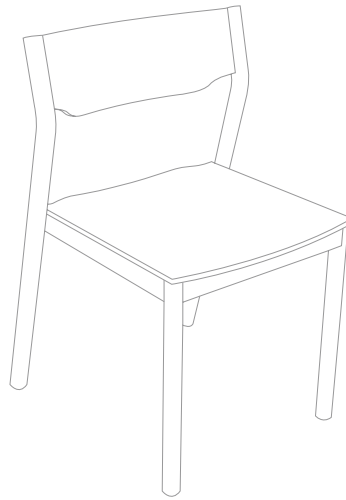


Interstellar Dining Table

Made in New Zealand from carbon fibre, Interstellar is a dynamic statement piece that appears to float due to its ultra-thin profile. Anchored by black powdercoated or brushed stainless steel legs, this piece is the epitome of luxury.

Designer	Resident Studio
Designed	2016
Description	Dining Table
Materials	Carbon Fibre
Product Code	INS001B- Black top, Black legs INS001S- Black top, Stainless Steel legs
Colour Options	Black with Black legs Black with Stainless Steel legs
Packing	L3000mm x W1015mm x H255mm/ L118"x W40"x H10" CBM- 27.31/ Cubic Ft- 27.31
PPacking Weight	85kg/ 187Lbs
Product Dimensions	L3000mm x W950mm/ L118"x W37"
Warranty	3 years



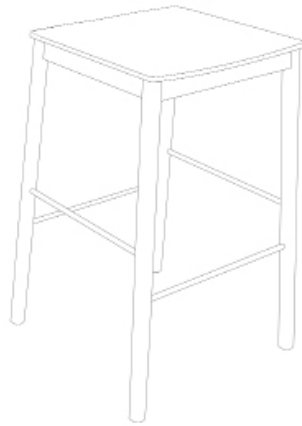


Tangerine Chair

This clean lined stackable wooden chair is ideal for the home, hospitality and commercial environments. Available in natural oak and black stain. It's light weight look and subtle form offer a refined look to complement most tables.

Designer	Simon James
Year	2012
Discription	Dining Chair
Materials	Solid oak and oak plywood
Product Code	TAN001N- Tangerine Chair Natural TAN001B- Tangerine Chair Black
Colour Options	Natural Oak Black stain
Packing	L540mm x W680mm x H1010mm/ L21"x W26"x H39.7" CBM- 0.37/ Cubic Ft- 12.5 (4 units per box)
Packing Weight	17.1kg/ 38Lbs
Dimensions	Product dimensions- D505mm x W510mm x H775mm/ D20"x W20"x H30" Floor to seat height- 435mm/ 17.7"
Warranty	3 years



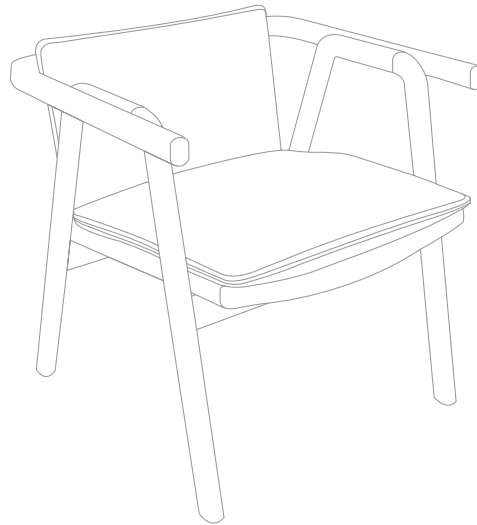


Tangerine Stool

Made from solid oak, the Tangerine Stool is an extension of the popular Tangerine family. It's light-weight and streamlined appearance is tempered by the robustness of steel crossbars, making the product ideal for hard contract use. Carrying on the iconic seat and back detail this stool is available with and without a back.

Designer	Simon James
Year	2014
Description	Barstool
Materials	Oak
Product Code	TAN003B- Tangerine Stool Black TAN003N- Tangerine Stool Natural
Colour Options	Black stain Natural Oak
Packing	L450mm x W740mm x H420mm/ L18"x W29"x H16" CBM- 0.139/ Cubic Ft- 4.8
Packing Weight	5.2kg/ 11Lbs
Dimensions	Product dimensions- D410mm x W370mm x H690mm/ D16"x W14.5"x H27" Floor to seat height- 700mm/ 27"
Warranty	3 years



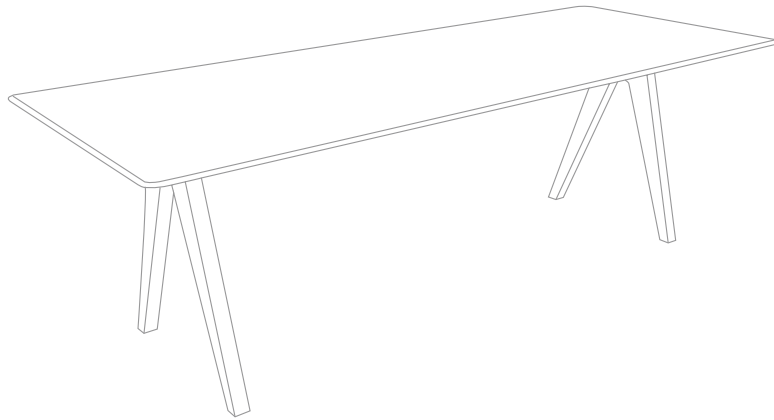


Pick Up Sticks

Pick Up Sticks is genuinely a comfortable armchair comprising an upholstered component which is produced separately and at a short lead-time. Ideal for commercial or residential use, Pick Up Sticks celebrates a solid oak frame which exhibits refined profile details throughout.

Designer	Simon James
Year	2014
Description	Armchair
Materials	Solid oak/ upholstery
Product Code	PUS001N- Pick Up Sticks Natural PUS001B- Pick Up Sticks Black stain
Colour Options	Black stain Natural oak Fabric- Camira, Blazer- www.camirafabrics.com
Packing	L1120mm x W710mm x H690mm/ L44"x W28"x H27" CBM- 0.548/ Cubic Ft- 19.25
Packing Weight	10kg/ 22Lbs
Product Dimensions	D780mm x W680mm x H730mm/ D31"x W26"x H29"
Warranty	3 years



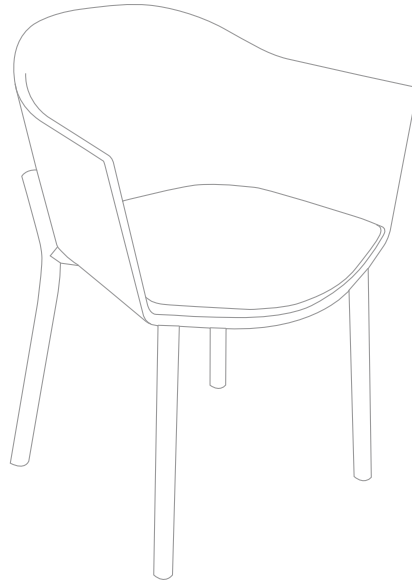


Scholar Table

The base is constructed from black stained solid birch and the top is oak veneer with a solid oak edge substrate. Described as having a timeless and paired-back quality this table is ideal for both the home and office. Although masculine in appearance, it's soft edges evoke subtle luxury with it's frame flat-packing for ease of shipment.

Designer	Cameron Foggo
Year	2014
Description	Dining Table
Materials	Solid Oak/ Oak veneer
Product Code	SCH001
Colour Options	Oak veneer/ Black base
Packing	L2500mm x W1030mm x D180mm/ L98"x W40" x H7" CBM- 0.4635/ Cubic Ft- 15.87
Packing Weight	90kg/ 154Lbs
Product Dimensions	L2400mm x W900mm x H745mm/ L94"x W35"x H29"
Warranty	3 years
Packing Weight	90kg
Warranty	3 years



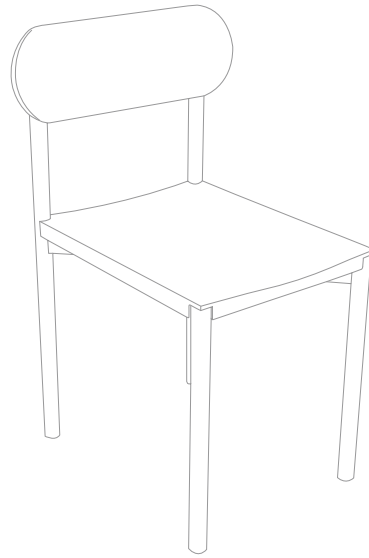


Felix Chair

The Felix chair was born out of the need for a genuinely comfortable armchair. Soft upholstered lines contrast the industrial nature of a well-engineered steel base. This chair can stand-alone or sit around a dining or boardroom table.

Designer	Simon James
Year	2011
Description	Breakout Chair
Materials	Steel, upholstered plywood and foam
Product Code	FEX001
Colour Options	Fabric- Camira, Blazer: www.camirafabrics.com Base- Black
Packing	L540mm x W670mm x H650mm/ L21"x W26"x H25.5" CBM- 0.235/ Cubic Ft- 8
Packing Weight	3kg/ 7Lbs
Dimensions	Product dimensions- D670mm x W550mm x H770mm/ D26"x W22"x H30" Floor to seat height- 240mm/ 17.7"
Warranty	3 years



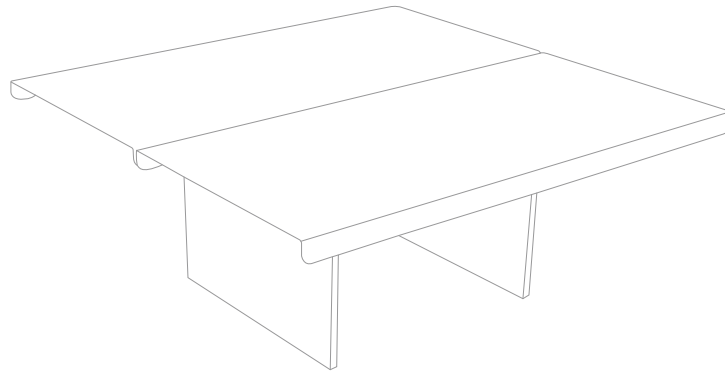


Studio Chair

The studio chair is a simple, geometrically precise chair that has a small footprint and subtle curves, creating a comfortable situation for sitting. Formally the chair refers to a typology of common, robust wood chairs originating in Switzerland.

Designer	Jason Whiteley
Year	2011
Discription	Dining Chair
Materials	Solid oak
Product Code	STC001N- Studio Chair Natural STC001B- Studio Chair Black
Colour Options	Natural oak Resident Black stain
Packing	L850mm x W450mm x H140mm/ L33.4"x W18"x H5.5" CBM- 0.053/ Cubic Ft- 1.9 (2 units per box)
Packing Weight	5kg/ 11Lbs
Dimensions	Product dimensions- D420mm x W425mm x H805mm/ D16.5"x W16.7"x H31.6" Floor to seat height- 455mm/ 17.7"
Warranty	3 years





Flyover Coffee Table - Square

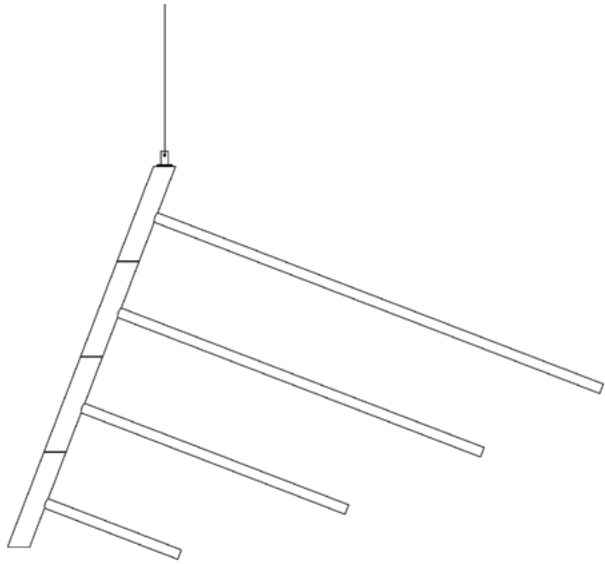
The Flyover family's longitudinal design and parallel lines are reminiscent of the underside of bridges, underpasses and motorway flyovers. Two pieces of thin sheet metal are folded into upside down u channels to create the table top, which sits upon pedestal fin legs. Elegantly machined angle brackets hold the structure together.

Designer	Jamie McLellan
Year	2014
Description	Coffee Table
Materials	Steel
Product Code	FLYOO2W
Colour Options	White
Packing	L780mm x W420mm x H100mm/ W31"x H17"x D4" CMB- 0.032/ Cubic Ft- 1.21
Packing	26kg/ 57Lbs
Product Dimensions	L725mm x W725mm x H300mm/ L28.5"x W28.5"x H11.8"
Warranty	3 years





Resident



Eccentric Mobile

Crafted from birch, Eccentric Mobile is a precision engineered hanging object whose parts gently rotate about multiple axis, providing an ever-changing piece of aerial sculpture. Each part spins on embedded micro bearings. The mobile is perfectly balanced despite its visual asymmetries.

Designer	Jamie McLellan
Year	2013
Description	Hanging mobile sculpture
Materials	Solid Birch
Product Code	ECC001N- Eccentric Mobile Natural ECC001R- Eccentric Mobile Multicolour
Colour Options	Natural Birch Multicolour
Packing	L750mm x W750mm x H100mm/ L 29.5"x W4"x H4" CBM- 0.056/ Cubic Ft- 0.27
Packing Weight	1kg/ 2Lbs
Dimensions	L950mm x W35mm x H620mm/ L37"x W1.3"x H24.5"
Warranty	3 years

